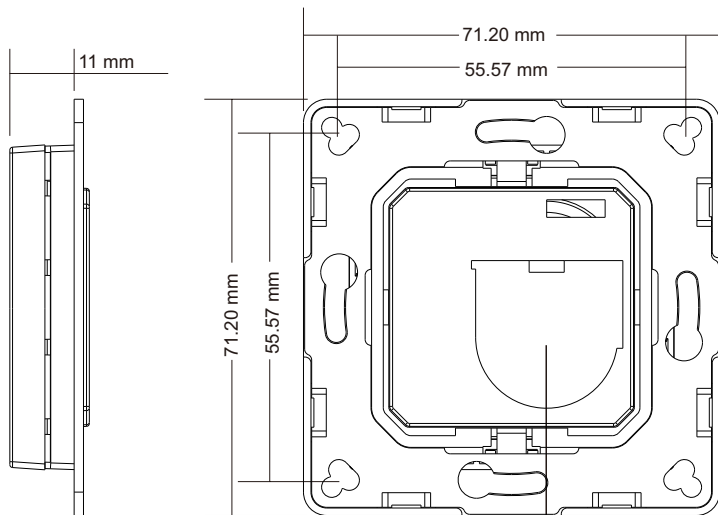
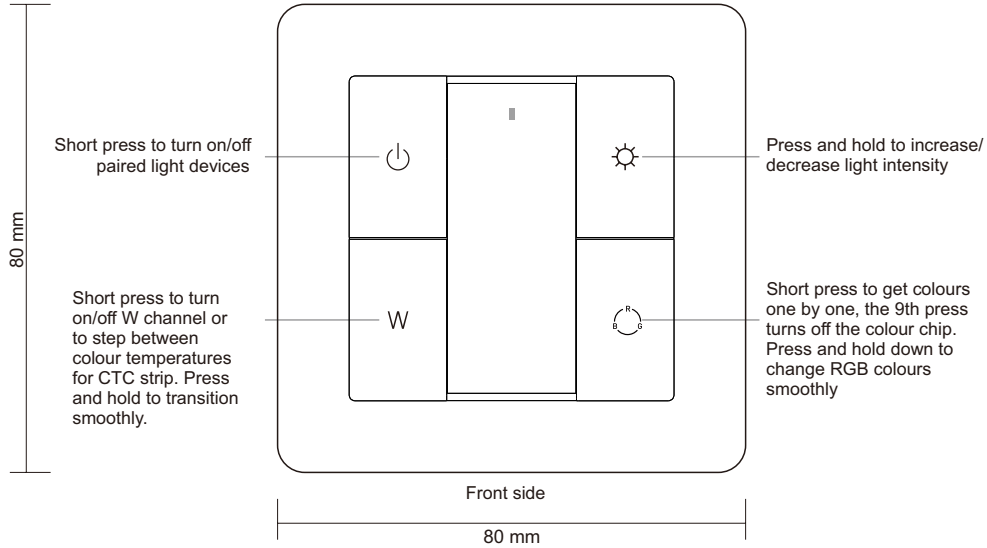


RF+Bluetooth Wall Mounted Remote Controller



Important: Read All Instructions Prior to Installation

Function introduction



Battery: CR2450
Before the first use, please open the battery cover and remove the protective film

Back side

Product Data

Output	RF+Bluetooth
Operation Frequency	2.4GHz
Power Supply	3V(1xCR2450 battery)
Operating temperature	0-40°C
Relative humidity	8% to 80%
Dimensions	80x80x13.6mm

- RF+Bluetooth RGBW DIM 2 in 1 wall mounted remote control
- Allows the control of 1 zone of receivers
- Easy & quick pairing to the RF+Bluetooth receivers by simply pushing the buttons
- Allows the control of universal DIM, RGBW RF+Bluetooth devices
- Mesh network for further control distance, receivers can transmit signal to each other
- Each remote can control numerous receivers
- Each receiver can be paired to max. 8 remote controls
- The controlled receiver status can be quickly synchronized to the smart APP
- Transmission range between every two neighbouring devices up to 30m
- Low power consumption technology, long battery life

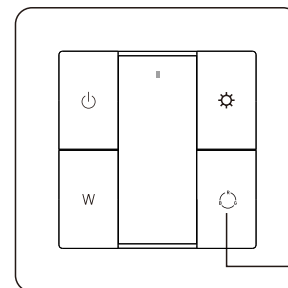
Safety & Warnings

- This device contains a button lithium battery that shall be stored and disposed properly.
- DO NOT expose the device to moisture.


Pair with RF+Bluetooth receiver

Step 1: Wire the strip to the receiver and set the dip switches of the receiver according to the strip type. Please see instructions of the receiver for more info.

Remove the protective film from the battery compartment of the wall mounted remote on the back of the unit.



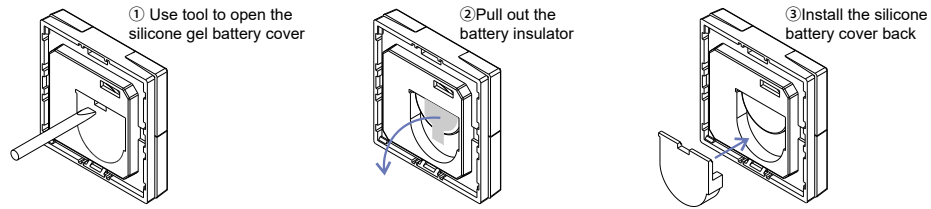
Step 2: Short press the "prog." button on RF+Bluetooth receiver (or reset power of the receiver 3 times continuously if the button is not accessible) to set it into pairing to RF remote status

Step 3: Short press any button of the remote (e.g. button ) , The LED lights connected with the receiver will flicker once which means the receiver is paired with the remote successfully.

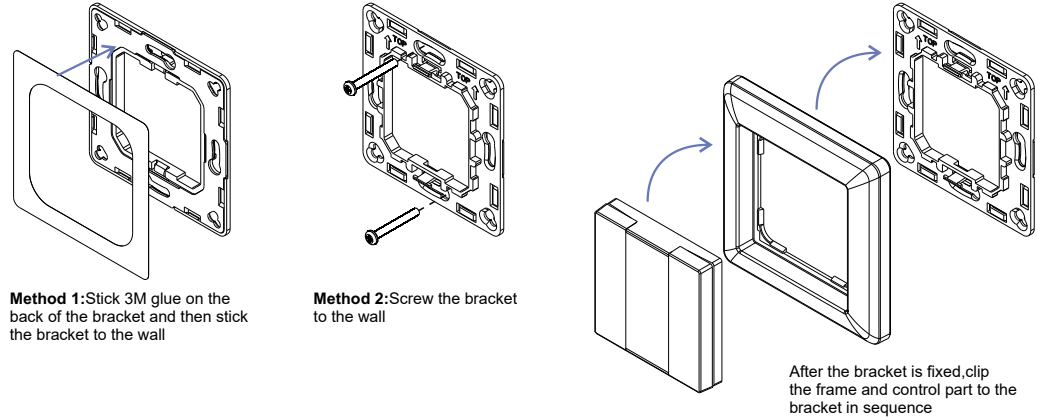
Note: one receiver can be paired with max 8 remote controls.

Installation

1.Remove battery insulator



2.Install the controller to wall(2 methods)



WARNING: This product contains a button battery and should be kept out of reach of children.



WASTE ELECTRICAL PRODUCTS SHOULD NOT BE DISPOSED OF WITH HOUSEHOLD WASTE. PLEASE RECYCLE WHERE FACILITIES EXIST. CHECK WITH YOUR LOCAL AUTHORITY FOR RECYCLING ADVICE.

**Shenzhen Sunricher
Technology Co. Ltd**
Add: 3F, Bldg. E, Qihang
Industrial Park, 1008
Songbai Road, Nanshan
Dis., Shenzhen 518108