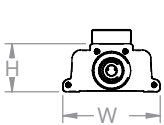


# INSTALLATION INSTRUCTION

## Integral Compact Eco Linear LED battens

### 3 Year Warranty

| Product Code | Description                                  | Product Dimensions (mm)<br>(L x W x H) | Net Weight (Kg) |
|--------------|--|--|-----------------|
| ILHBL080     | 65W 10075LM 4000K 155lm/W 120° Non-Dimmable  | 625 x 120 x 56 mm                      | 2.2             |
| ILHBL081     | 65W 10075LM 5000K 155lm/W 120° Non-Dimmable  | 625 x 120 x 56 mm                      | 2.2             |
| ILHBL090     | 120W 18600LM 4000K 155lm/W 120° Non-Dimmable | 1220 x 120 x 56 mm                     | 4.4             |
| ILHBL091     | 120W 18600LM 5000K 155lm/W 120° Non-Dimmable | 1220 x 120 x 56 mm                     | 4.4             |



**Thank you for purchasing an INTEGRAL LED product. When installed correctly this unit will provide years of service – with no lamp changes required. For support or warranty information please see [integral-led.com](http://integral-led.com). Always turn off circuit power at the distribution unit before installation and maintenance. Please ensure that the power cannot be connected inadvertently.**

#### Important Details – Please read prior to installation

**Ensure the AC/Mains power is NOT connected and cannot be unexpectedly reconnected during installation.**

1. This product must be installed by a qualified electrician in accordance with instructions provided and in compliance with recognised electrical and safety regulations relevant to the country it is being installed.
2. This product is suitable for installation on surfaces with normal flammability e.g. wood, masonry. It is not suitable for use on highly flammable surfaces or in flammable atmosphere.
3. This can be mounted on the ceiling or suspended. See installation guides below.
4. If mounted on the ceiling this product must be securely fixed to the mounting surface using the mounting clips, screws and wall plugs supplied (see Table 1). The screws and wall plugs are suitable for “masonry” only. Other fixings are not supplied and must be purchased.
5. Please ensure that 2-core H05RN-F / H07RN-F minimum 2x0.75mm<sup>2</sup> cable is used to power the luminaire and to link to other.
6. This product is not suitable for dimming.
7. No user serviceable parts.

**IMPORTANT! This product is a Class II device. However an earth connection is required.**

#### Warranty

This unit carries a 3 year warranty from the date of purchase, providing that it has been installed correctly and not modified in any way. Should a fault occur please contact the original place of purchase.

#### Important Notes

Operating and storage of luminaire must be within rated temperature and humidity guidelines. Operation must be within rated input voltage.

- Keep away from strong electromagnetic radiation sources and protect from lightning strike.
- Should the unit malfunction, return to distributor or reseller. No user serviceable parts inside. Risk of electric shock, do not disassemble or attempt to repair the luminaire.
- Do not install or use the luminaire if the casing is found to be broken.
- The luminaire must be installed by a qualified electrician.
- The luminaire should be positioned away from heat and vibration. Avoid contact with any corrosive chemicals.
- The luminaire should be mounted in free air it is recommended not to exceed 30° C ambient.
- Never cover the luminaire with heat insulation materials.
- The luminaire should be positioned at least 1 metre away from radios, failure to do so may affect radio reception.





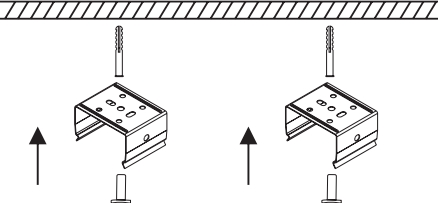
| Image   | Fixing Kit   | ILHBL080, ILHBL081, ILHBL090, ILHBL091 |
|---|--|--|
|  | Fixing Clip  | 2                                      |
|  | Suspension Kit (2 wires)<br>*Ceiling hook not provided | 1                                      |

Table 1 - Fixing Kit quantity

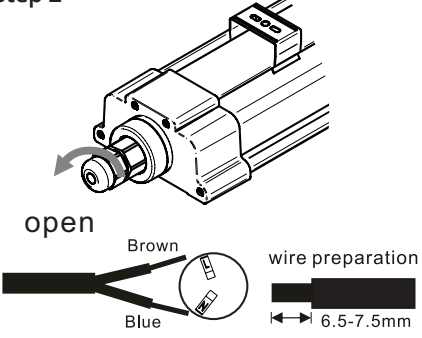
### CEILING INSTALLATION GUIDE

**Step 1**



1. Ensure that the fixings provided are suitable for the substrate. Alternative fixings may be required.
2. Mounting clips equally spaced positioned approximately 10 cm from each end of the batten.
3. Use wall plugs, fixing clips and screws provided.
4. Ensure that the fixing is safe and secure.

**Step 2**



open

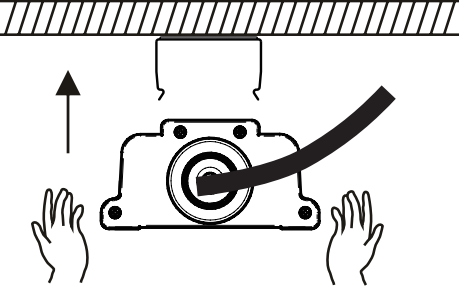
Brown

Blue

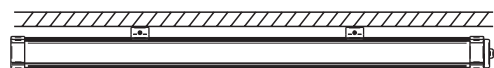
wire preparation

6.5-7.5mm

**Step 3**

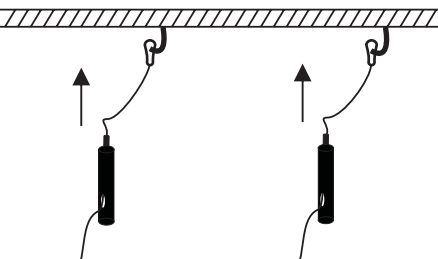


**Step 4**



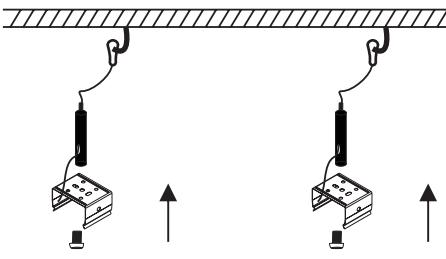
### SUSPENDED INSTALLATION GUIDE

**Step 1**

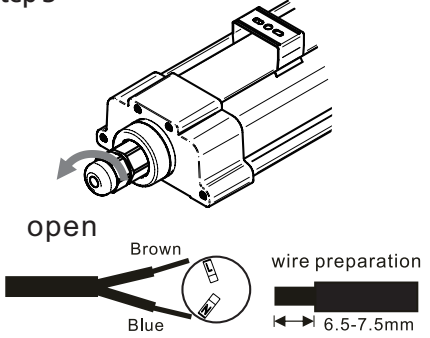


\* Ceiling hook not provided

**Step 2**



**Step 3**



open

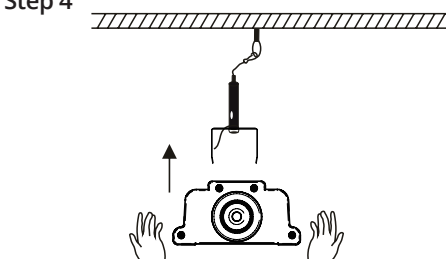
Brown

Blue

wire preparation

6.5-7.5mm

**Step 4**



**Step 5**

