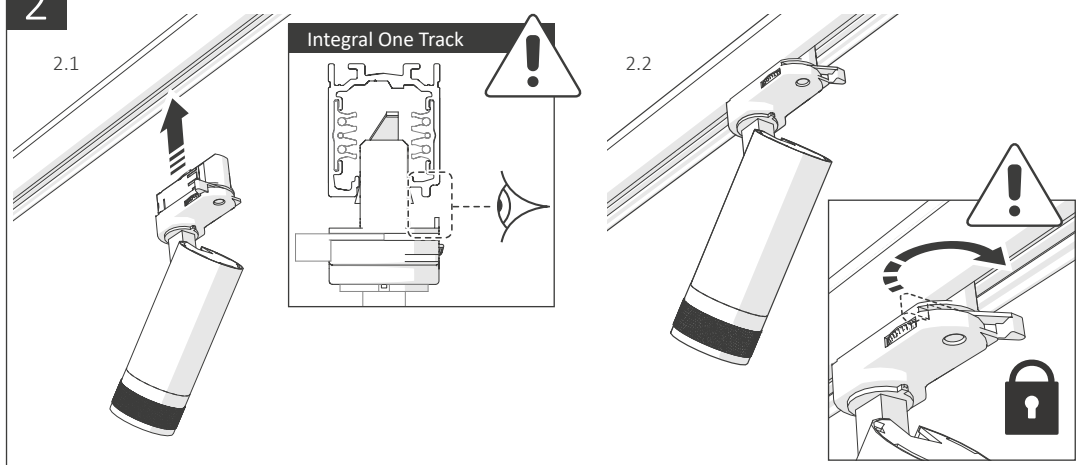
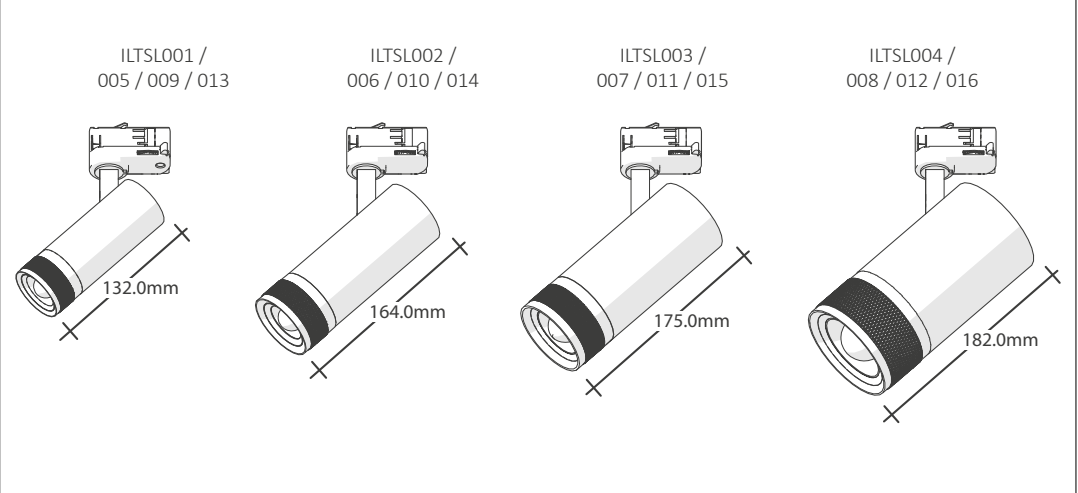
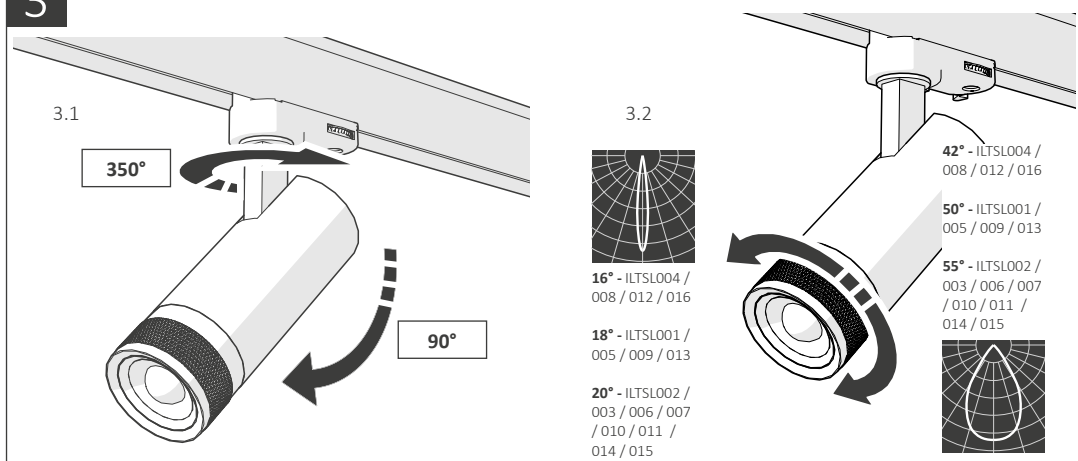




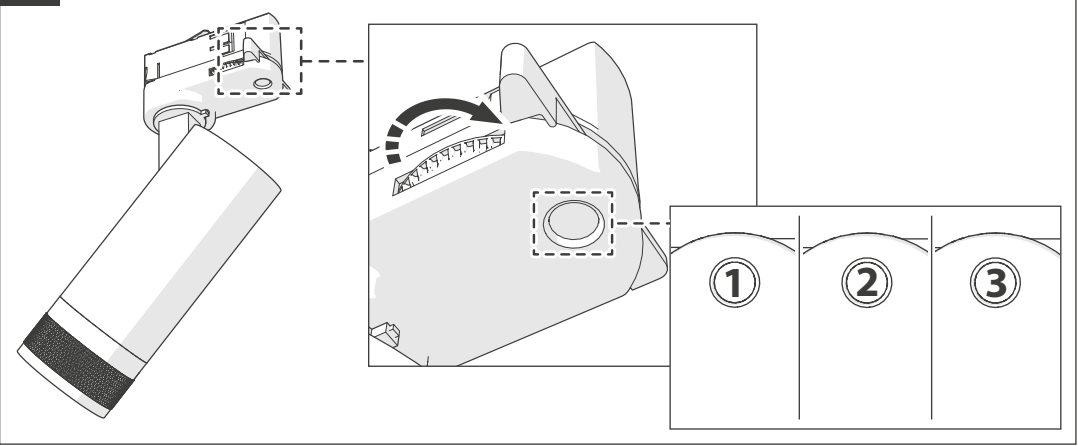
## 2 Installation / Installation / Installatie / Instalación / Installation / Instalação / Instalação



## 3 Adjustment / Ajustement / Aanpassing / Ajustamiento / Einstellung / Modyfikacja / Ajustamento / Regolazione



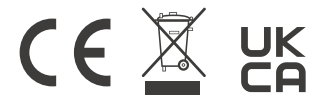
## 1 Circuit Selection / Sélection des circuits / Circuitselectie / Selección de circuito / Schaltungsauswahl / Wybór obwodu / Seleção de circuito / Selezione del circuito



## 4 Removal / Suppression / Verwijdering / Remoción / Entfernung / Usuwanie / Remoção / Rimozione



Warranty/ Technical & contact information are all available at [www.integral-led.com](http://www.integral-led.com)



Integral LED is a division of Integral Memory plc:  
 Unit 6, Iron Bridge Close, Iron Bridge Business Park,  
 London, NW10 0UF, UK  
 Integral Europe BV, 2801 DG, NL