

# integral™ LED

INSTALLATION INSTRUCTIONS  
 INSTALLATION INSTRUCTIONS  
 INSTRUCTIONS D'INSTALLATION  
 INSTALLATIE INSTRUCTIES  
 INSTRUCCIONES DE INSTALACIÓN  
 INSTALLATIONSANLEITUNG  
 INSTRUKCJE INSTALACJI  
 INSTRUÇÕES DE INSTALAÇÃO

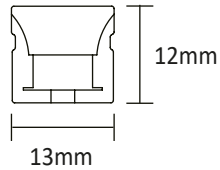
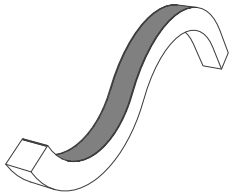
NEON FLEX  
 TOP BEND OR SIDE BEND



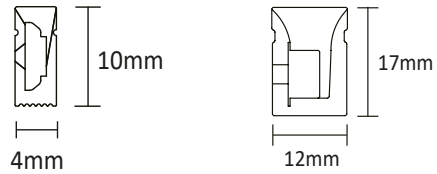
IS 1001



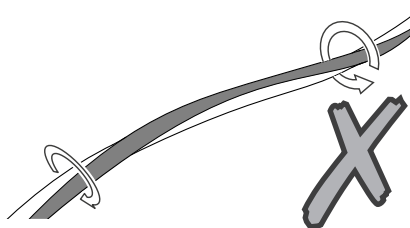
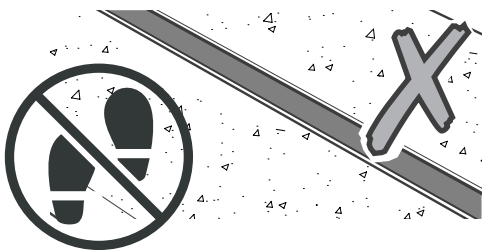
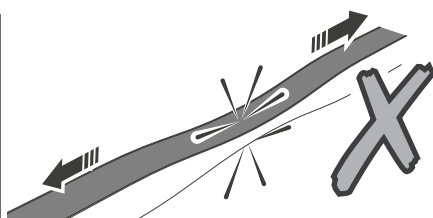
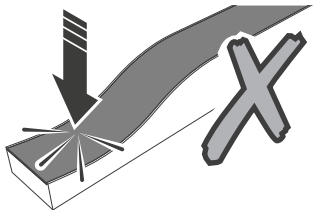
## TOP BEND



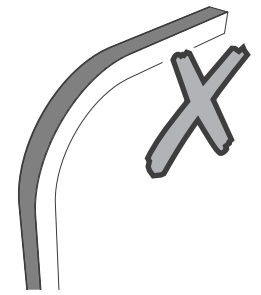
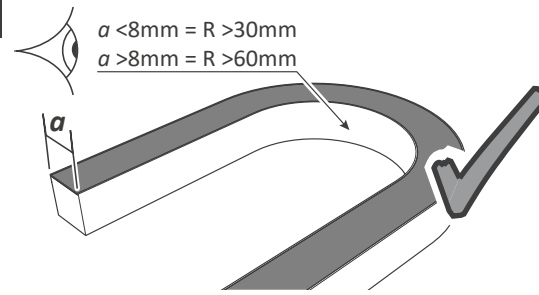
## SIDE BEND



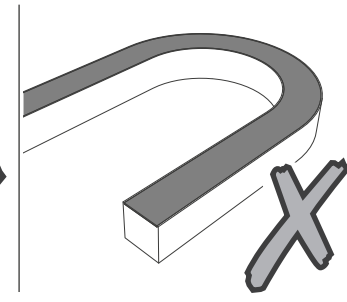
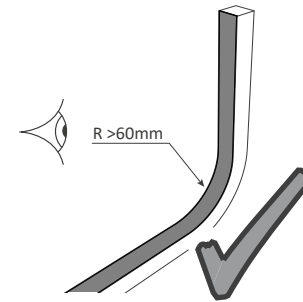
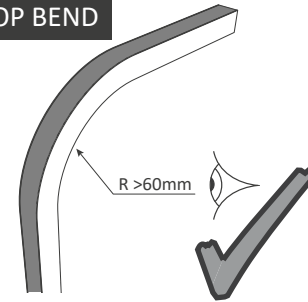
HANDLE WITH CARE / MANIPULER AVEC SOIN / BREEKBAAR / TRATAR CON CUIDADO / MIT VORSICHT  
 BEHANDELN / OSTROŽNIE / MANUSEIE COM CUIDADO / MANEGGIARE CON CURA



## SIDE BEND



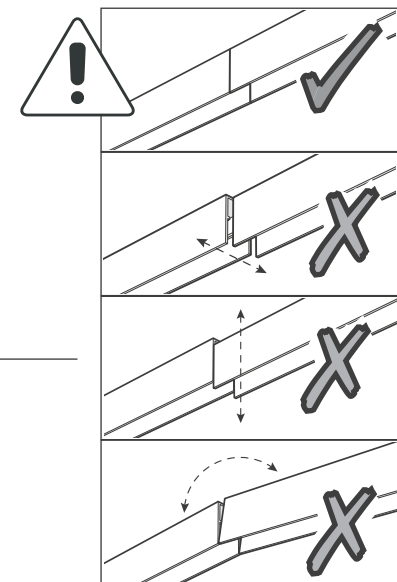
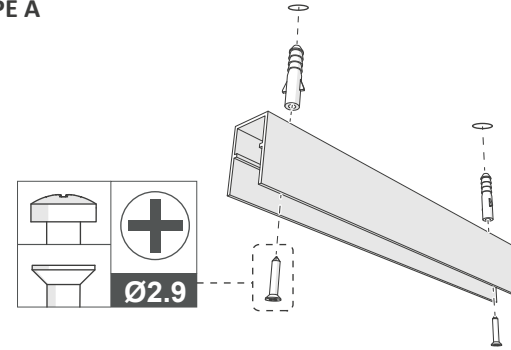
## TOP BEND



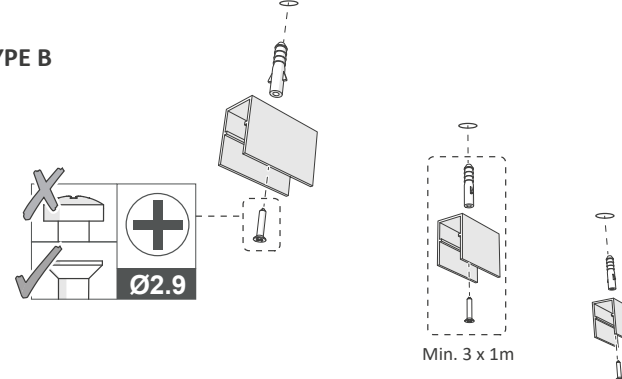
1

TOP + SIDE Bend Installation / Installation / Installatie / Instalación / Installation /  
 Instalacja / Instalação / Installazione

### TYPE A



### TYPE B



## 2 Cutting / Coupe / Snijden / Corte / Schneiden / Ciqć / Corte / Taglio

**Recommended tool /**  
*Outil recommandé /*  
*Aanbevolen tool /*  
*Herramienta recomendada /*  
*Empfohlenes Werkzeug /*  
*Polecane narzędzie / Ferramenta*  
*recomendada / Strumento consigliato*

## 3.5

**3.6** 120 mins.

## 3 Connection / Lien / Verbinding / Conexión / Verbindung / Połączenie / Conexão / Connessione

### 3.1

**6mm (+/-1mm)**

**3.2**

**3.3**

**24V D.C**

**3.4**

## 4 LED Installation / LED Installation / LED Installatie / LED Instalación / LED Installation / LED Instalacja / LED Instalação / LED Installazione

### 4.1

**>2.0 m**

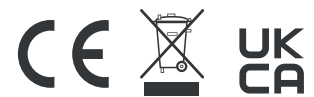
**X 2**

**4.2**

**Removal / Suppression / Verwijdering / Eliminación / Entfernung / Usuwanie / Remoção / Rimozione**

Warranty/ Technical & contact information are all available at [www.integral-led.com](http://www.integral-led.com)

IS1005 A



All Trademarks Acknowledged

Integral LED is a division of Integral Memory plc:  
 Unit 6, Iron Bridge Close, Iron Bridge Business Park,  
 London, NW10 0UF, UK  
 Integral Europe BV, 2801 DG, NL