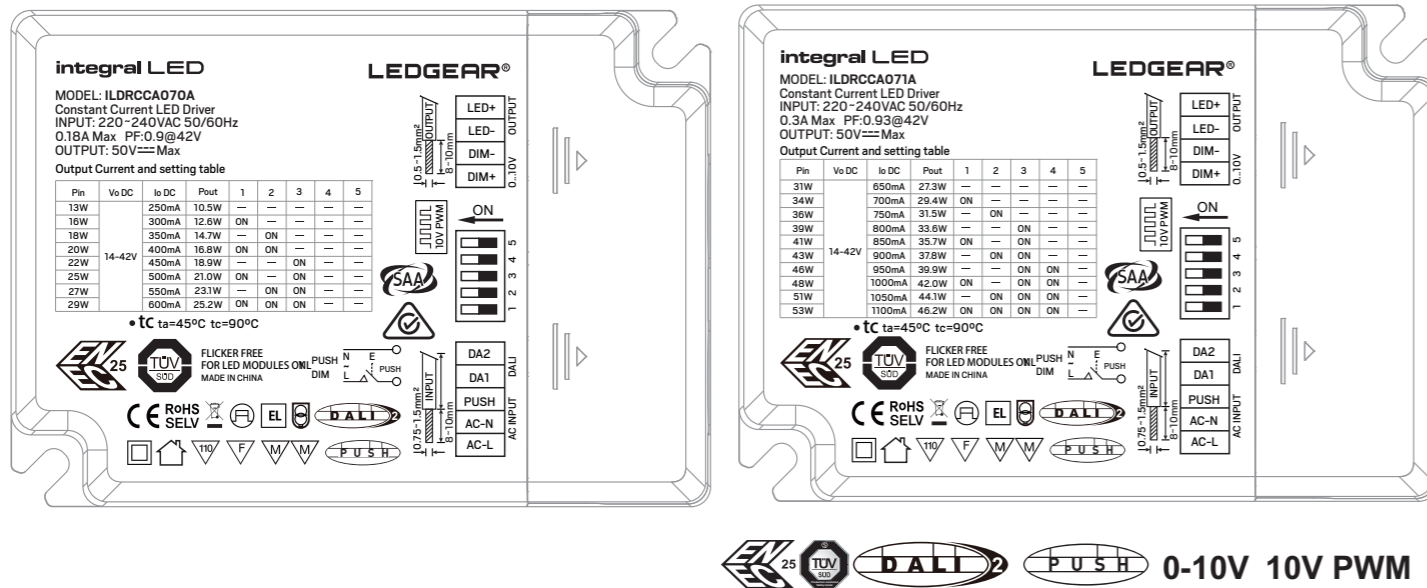


integral LED

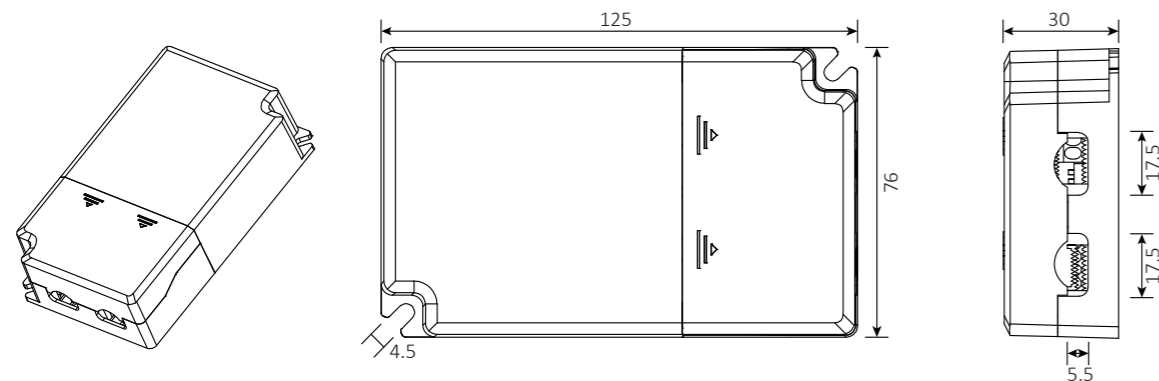
Product Instruction

LEDGEAR® One4all Driver



Read this manual carefully and keep it for future use.

Dimensions



Specifications

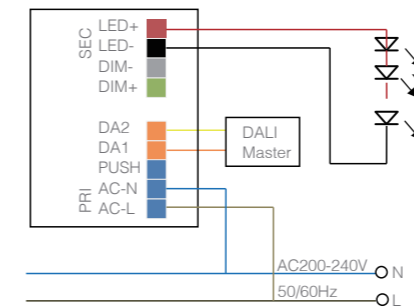
OUTPUT	Dimming range	DALI 1%-100%; Push-DIM 2%-100%, 0-10V: 10%-100%
	Flicker percentage	<3%
INPUT	AC Voltage range	200-240VAC
	Frequency range	47 ~ 63Hz
	Power factor	>0.95 at full power
Environment	Working Temp.	-20°C ~ 45°C
	Storage temp., humidity	-40°C ~ 80°C
Connection	AC Connector	Push Type Terminal, Max. 1.5mm ² input cable cord
Others	Warranty years	5
	Lifespan (hrs) @ ta=25°C	50000H
	DALI Standard	IEC 62386-101: 2014, IEC 62386-102: 2014, IEC 62386-207: 2009, DALI-2
	Dimension L x W x H	125X76X30mm

integral LED

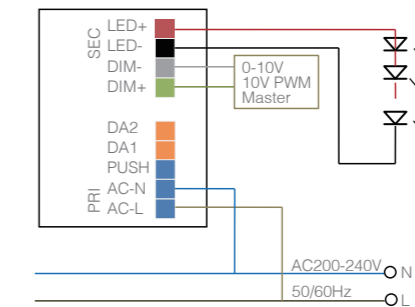
Product Instruction

Wiring Diagram

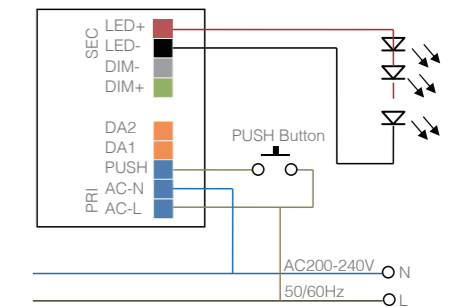
DALI



0-10V / 10V PWM



PUSH



Use the dip switches to set the desired output that matches the luminaire.

ILDRCCA071A (standard 650 mA)

DIP S.W.	1	2	3	4	5
650mA	-	-	-	-	-
700mA	ON	-	-	-	-
750mA	-	ON	-	-	-
800mA	-	-	ON	-	-
850mA	ON	-	ON	-	-
900mA	-	ON	ON	-	-
950mA	-	-	ON	ON	-
1000mA	ON	-	ON	ON	-
1050mA	-	ON	ON	ON	-
1100mA	ON	ON	ON	ON	-

ILDRCCA070A (standard 250 mA)

DIP S.W.	1	2	3	4	5
250mA	-	-	-	-	-
300mA	ON	-	-	-	-
350mA	-	ON	-	-	-
400mA	ON	ON	-	-	-
450mA	-	-	ON	-	-
500mA	ON	-	ON	-	-
550mA	-	ON	ON	-	-
600mA	ON	ON	ON	-	-

General information

- IP 20, only for indoor use.
- Beware of electric shocks.
- Shut off the power for installation and maintenance.
- This product may only be installed by a recognized installer.
- The luminaire and the driver must not be covered with heat-insulating material.

