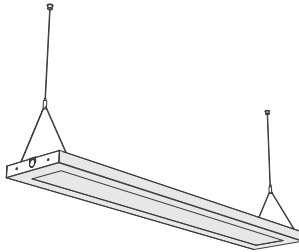


# integral™ LED

INSTALLATION INSTRUCTIONS  
INSTRUCTIONS D'INSTALLATION  
INSTALLATIE INSTRUCTIES  
INSTRUCCIONES DE INSTALACIÓN  
INSTALLATIONSANLEITUNG  
INSTRUKCJE INSTALACJI  
INSTRUÇÕES DE INSTALAÇÃO

Linear Suspended or Surface Mounted Office Fitting

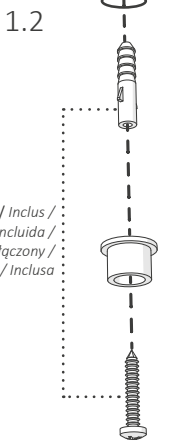
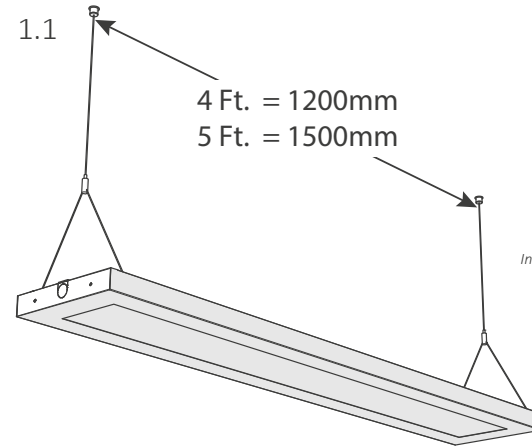


Connection / Lien / Verbinding / Conexión / Verbindung / Połączenie / Conexão / Connessione

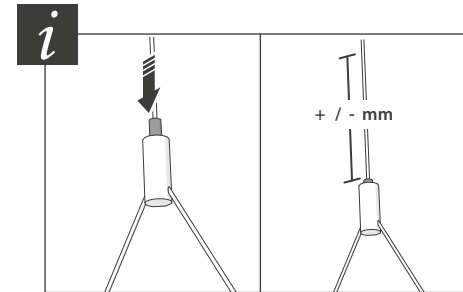
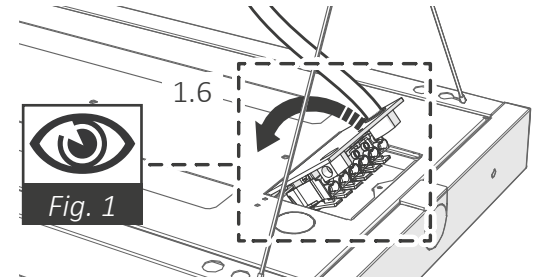
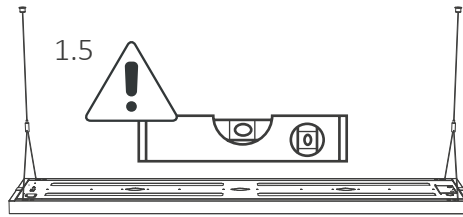
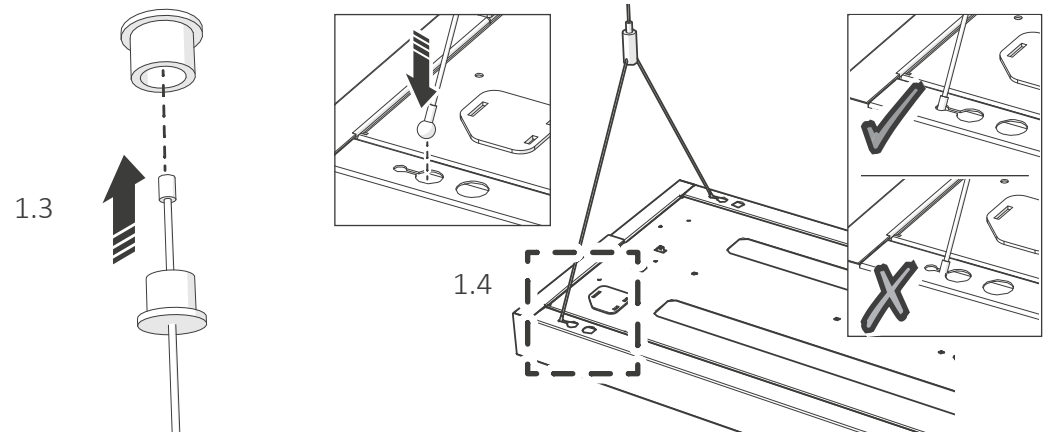
Fig. 1

EMERGENCY	STANDARD	PUSH DIM	DALI
<p>N Neutral</p> <p>⊕ Earth</p> <p>L1 (unswitched) Live</p> <p>L (switched) Live</p>	<p>N Neutral</p> <p>⊕ Earth</p> <p>L Live</p>	<p>P Push Switch</p> <p>V+ Live</p> <p>V- Neutral</p>	<p>D1 DALI 1 (+)</p> <p>D2 DALI 2 (-)</p>

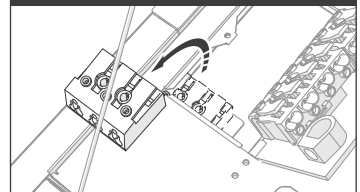
## 1 Suspended Installation / Installation suspendue / Opgeschorte installatie / Instalación suspendida / Unterbrochene Installation / Instalacja zawieszona / Instalação suspensa / Installazione sospesa



Included / Inclus / Inbegrepen / Includa / Inbegriffen / Dołączony / Incluída / Inclusa



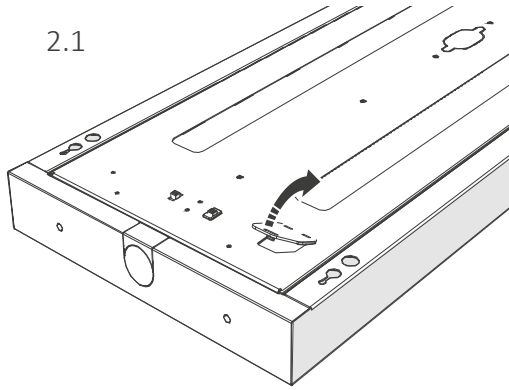
PUSH DIM - Access / Accéder / Toegang / Acceso / Zugang / Dostęp / Accesso / Accesso



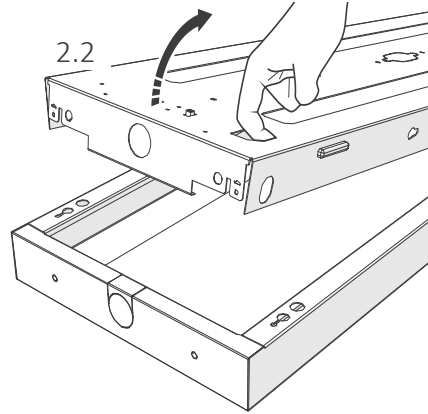
2

**Continuous Installation** / *Installation continue* / *Continue installatie* / *Instalación continua* / *Kontinuierliche Installation* / *Instalacja ciągła* / *Instalação Contínua* / *Installazione continua*

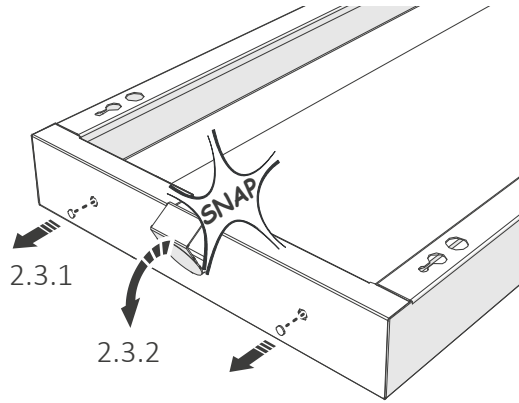
2.1



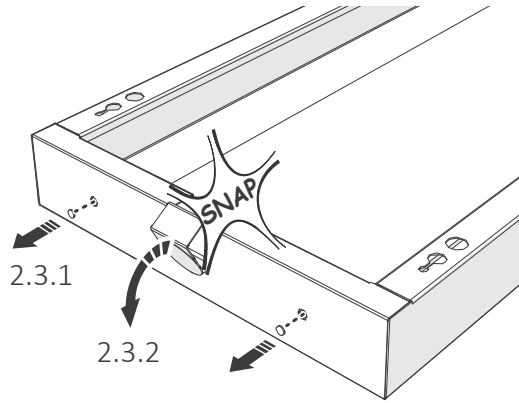
2.2



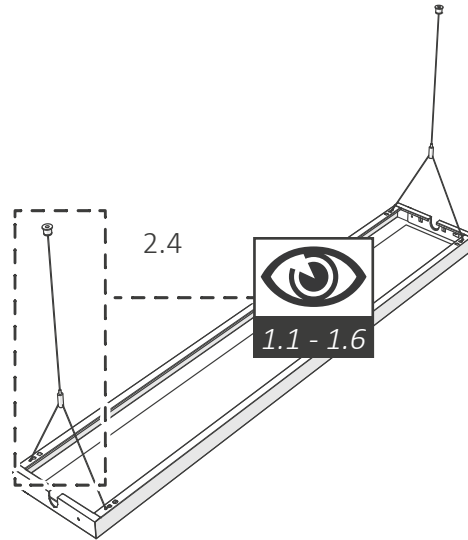
2.3.1



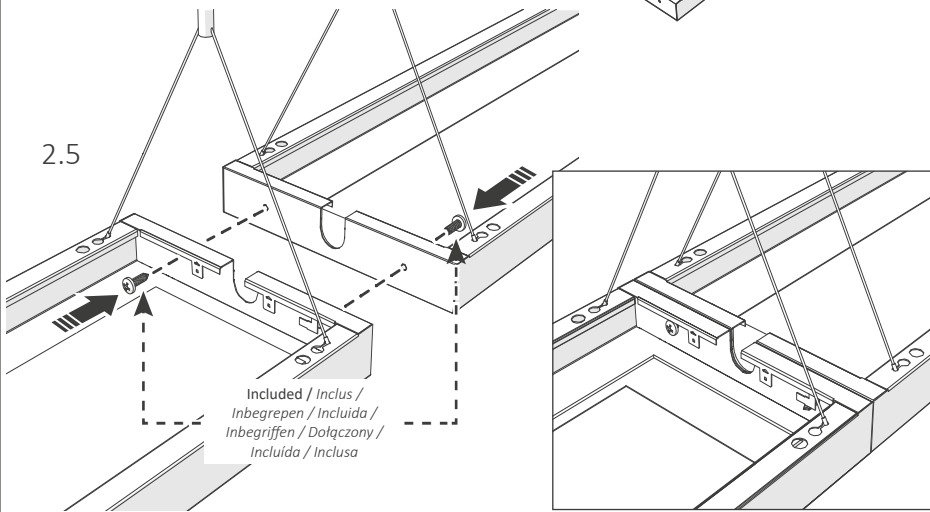
2.3.2



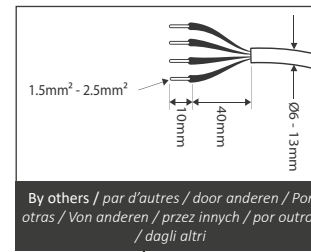
2.4



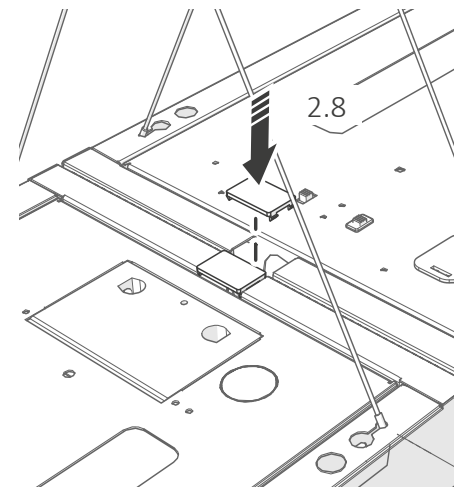
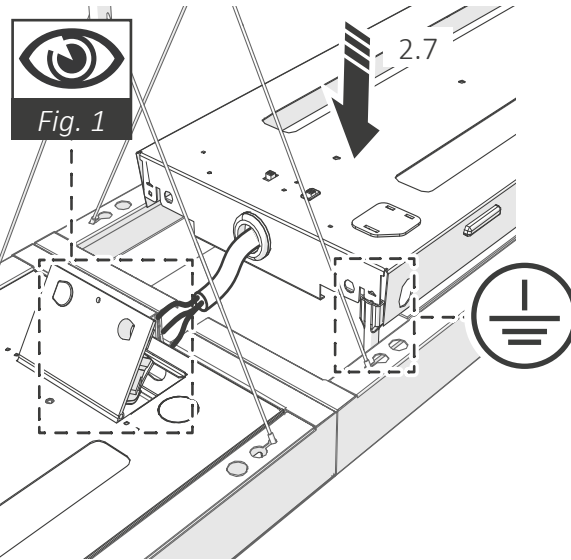
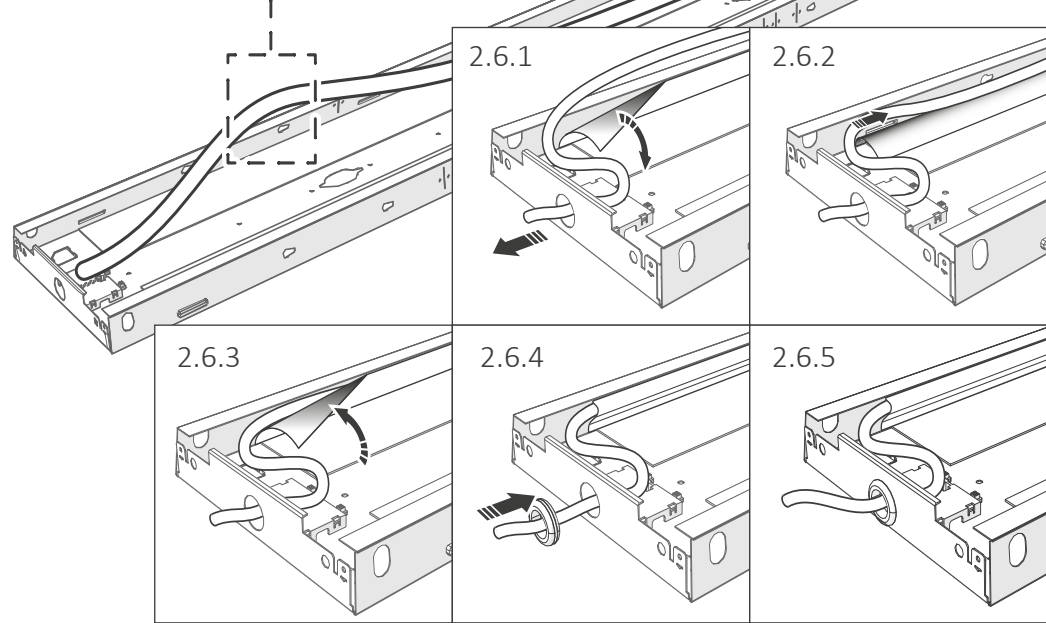
2.5



2.6



By others / *par d'autres* / *door anderen* / *Por otros* / *Von anderen* / *przez innych* / *por outros* / *dagli altri*



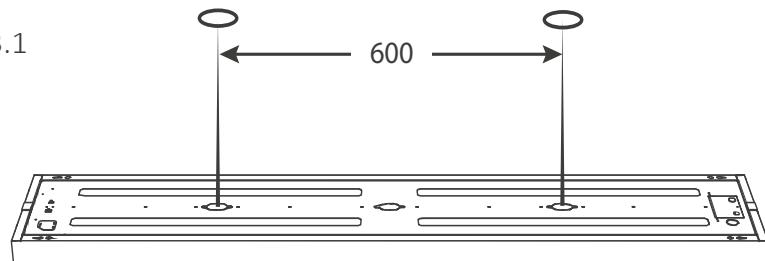
3

**Surface Installation** / *Installation au plafond / Plafond installatie / Instalación de techo / Deckeninstallation / Instalacja sufitowa / Instalação de teto / Installazione a soffitto*

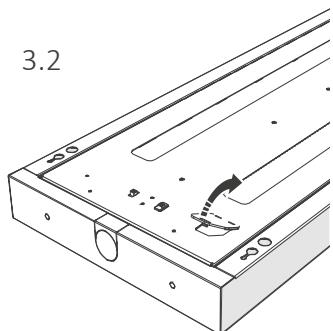


Ø4.5 x 30mm

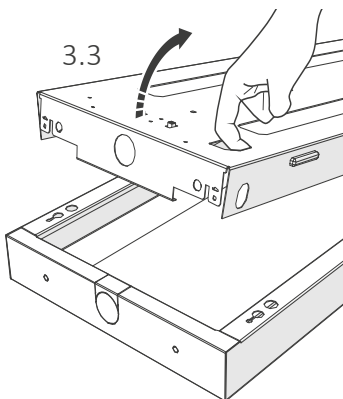
3.1



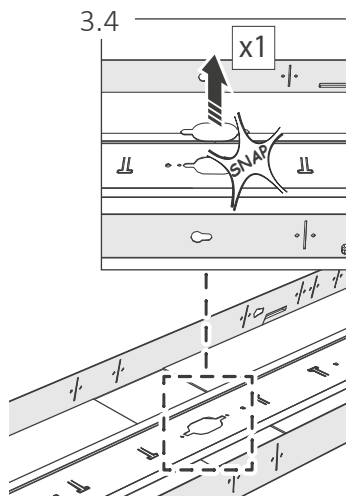
3.2



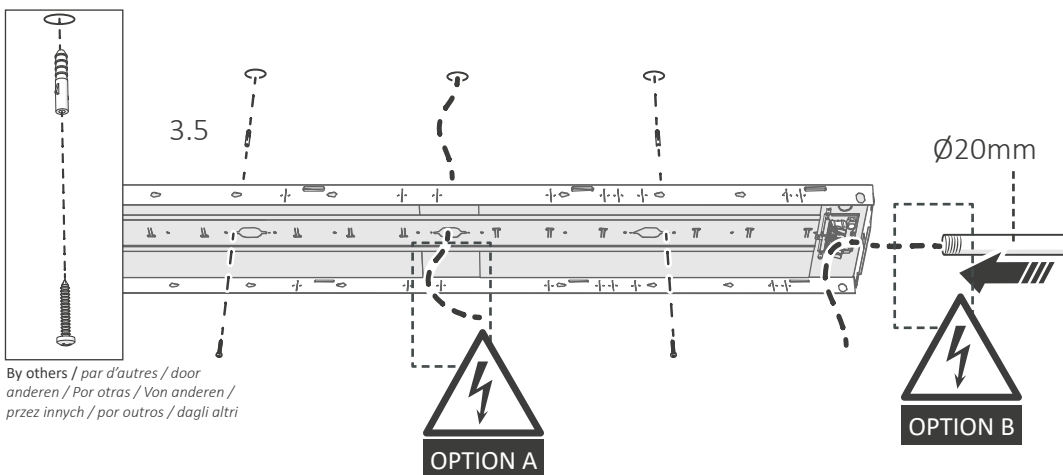
3.3



3.4



3.5

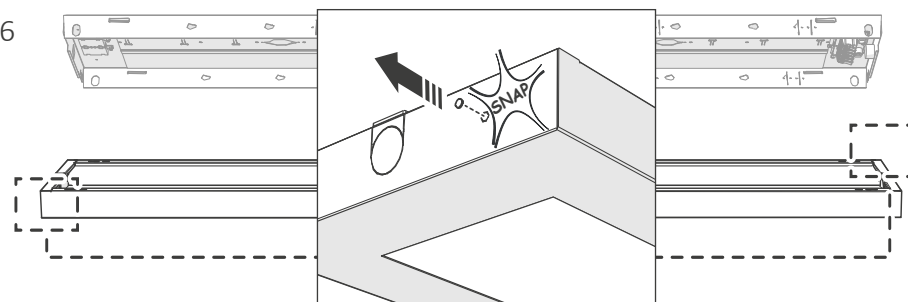


By others / par d'autres / door anderen / Por otras / Von anderen / przez innych / por outros / dagli altri

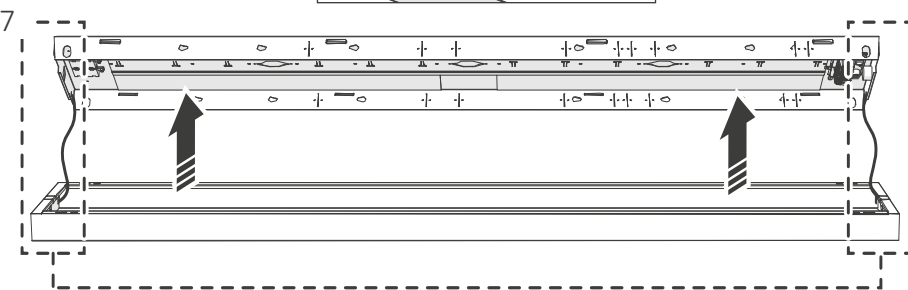
OPTION A

OPTION B

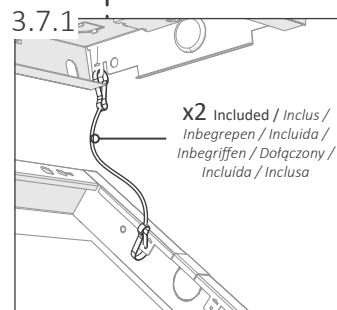
3.6



3.7

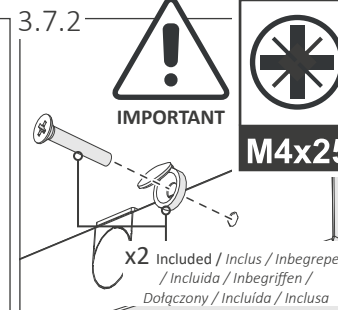


3.7.1



x2 Included / Inclus / Inbegrepen / Includida / Inbegripen / Dotłączony / Includida / Inclusa

3.7.2



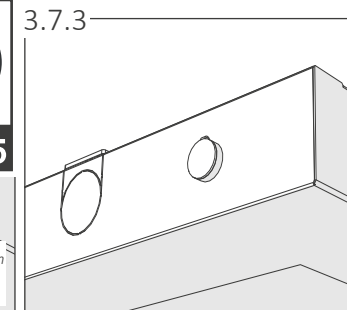
IMPORTANT



M4x25

x2 Included / Inclus / Inbegrepen / Includida / Inbegripen / Dotłączony / Includida / Inclusa

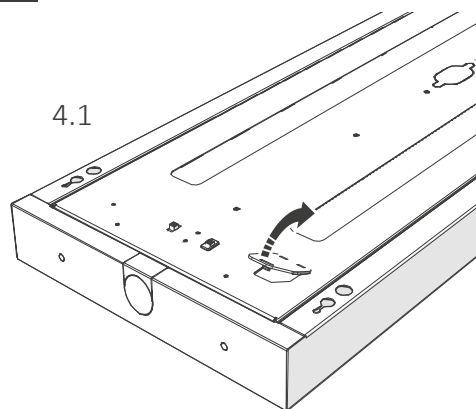
3.7.3



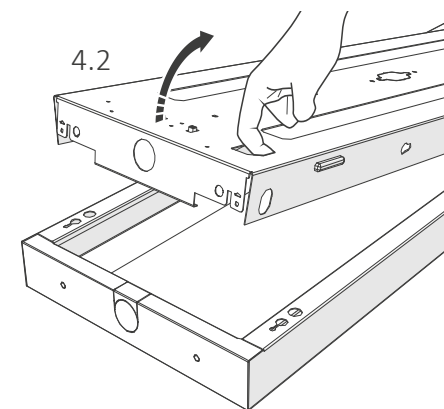
4

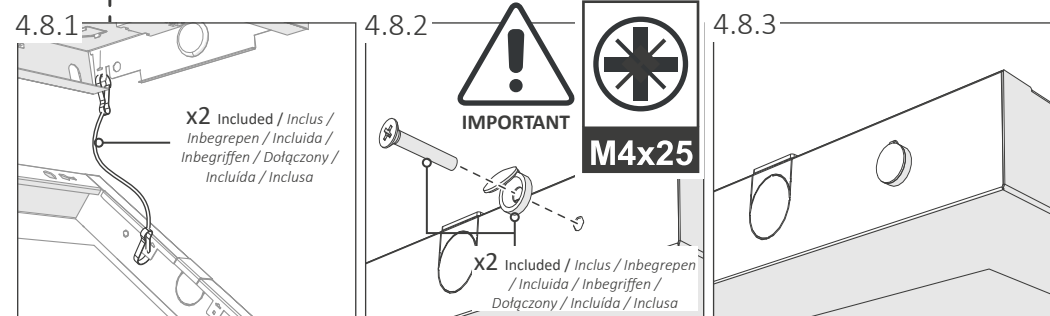
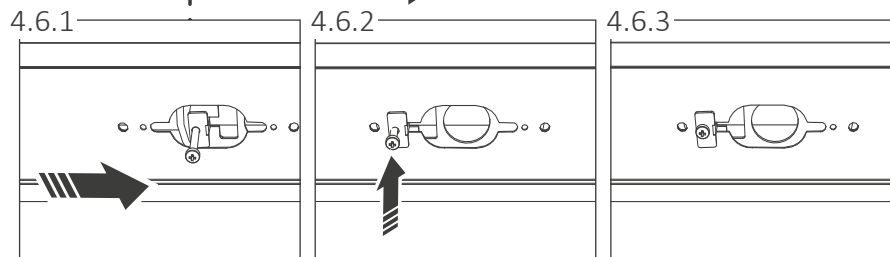
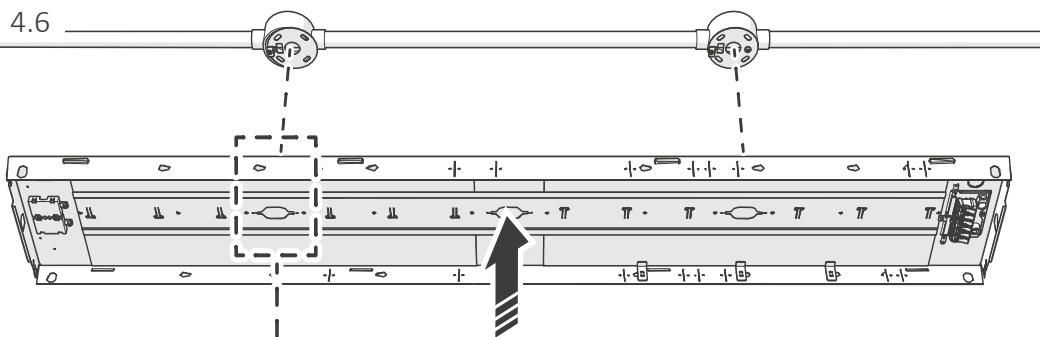
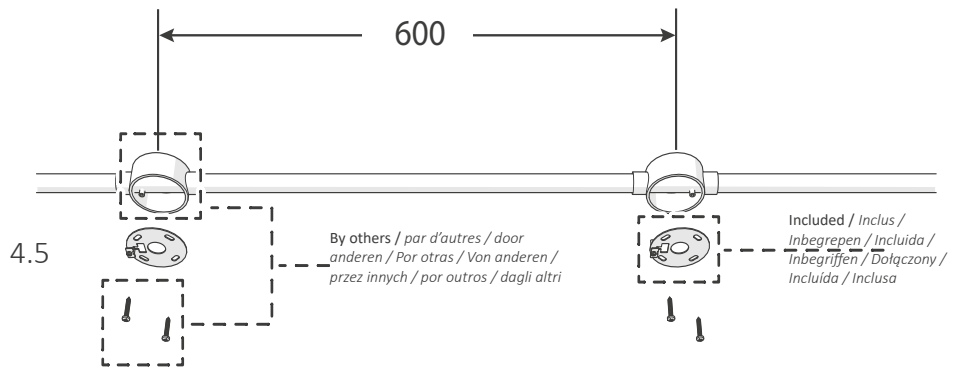
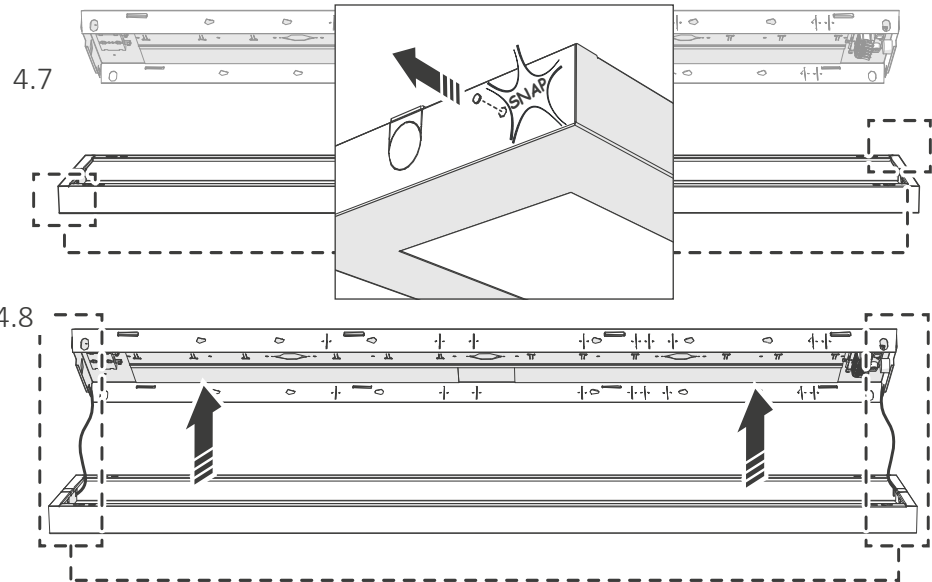
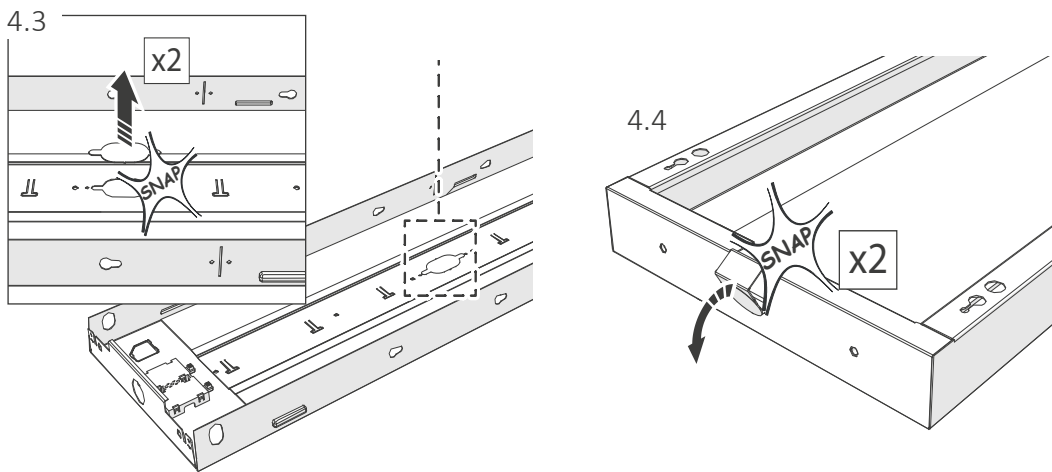
**BESA Installation** / *BESA Installation / BESA Installatie / BESA Instalación / BESA Instalacja/ BESA Instalação / BESA Installazione*

4.1

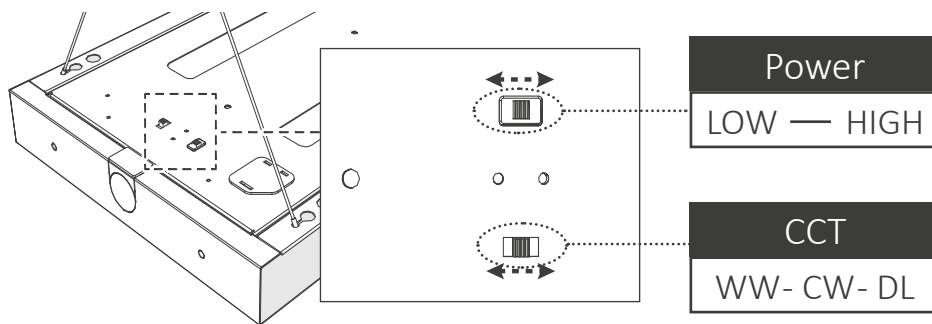


4.2





**5** Additional Settings / Paramètres additionnels / Aanvullende instellingen / Ajustes adicionales / Zusätzliche Einstellungen / Dodatkowe ustawienia / Configurações adicionais / Altre impostazioni



Warranty/ Technical & contact information are all available at [www.integral-led.com](http://www.integral-led.com)

IS1026 D



Integral LED is a division of Integral Memory plc:  
Unit 6, Iron Bridge Close, Iron Bridge Business Park,  
London, NW10 0UF, UK  
Integral Europe BV, 2801 DG, NL