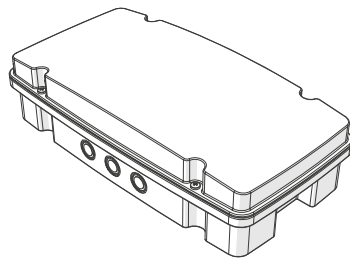


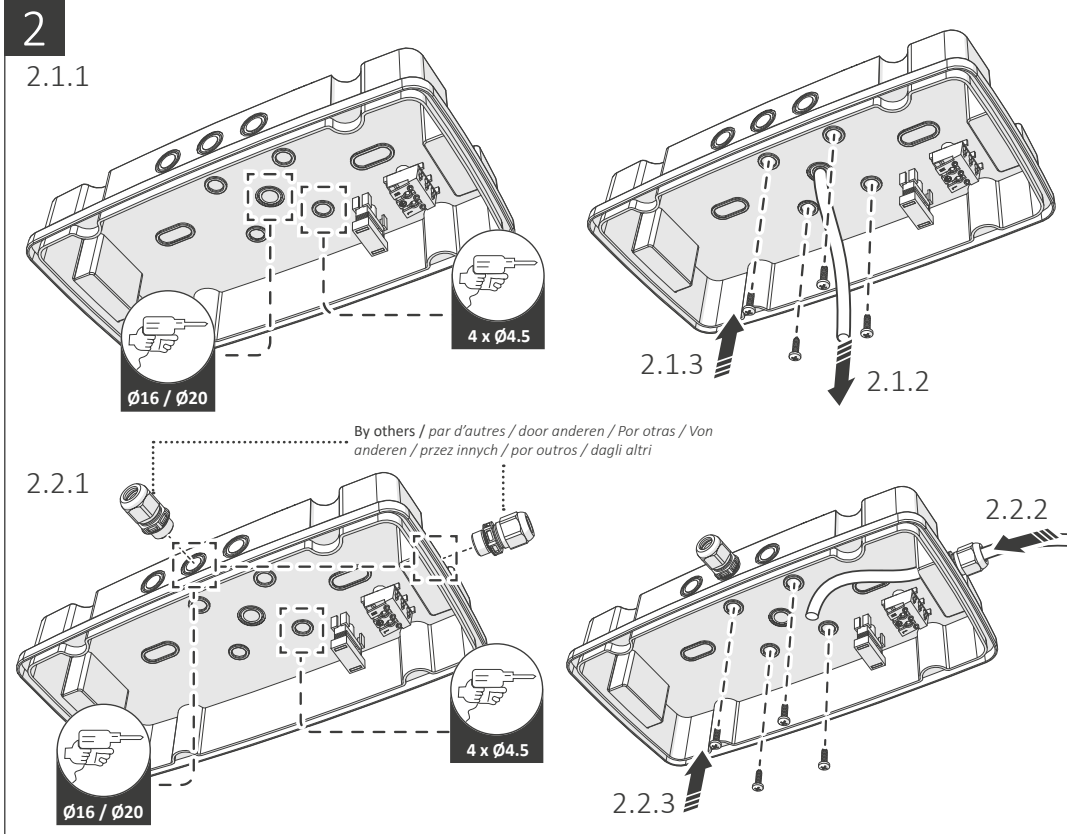
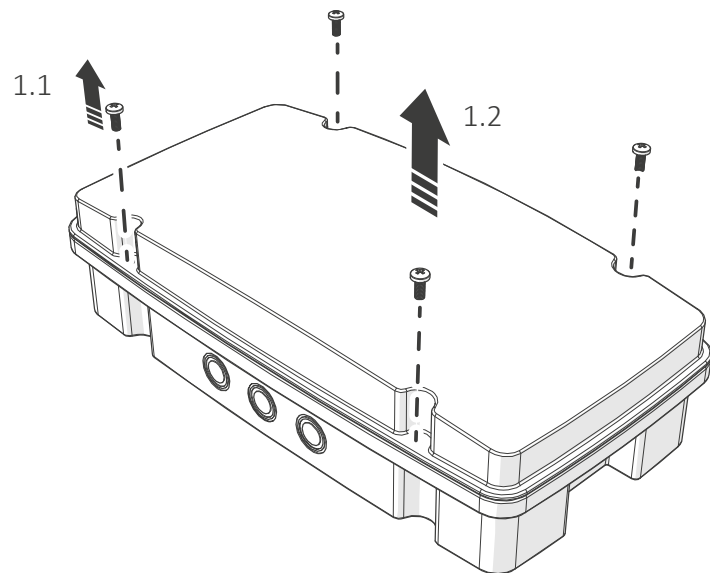


IS 1001

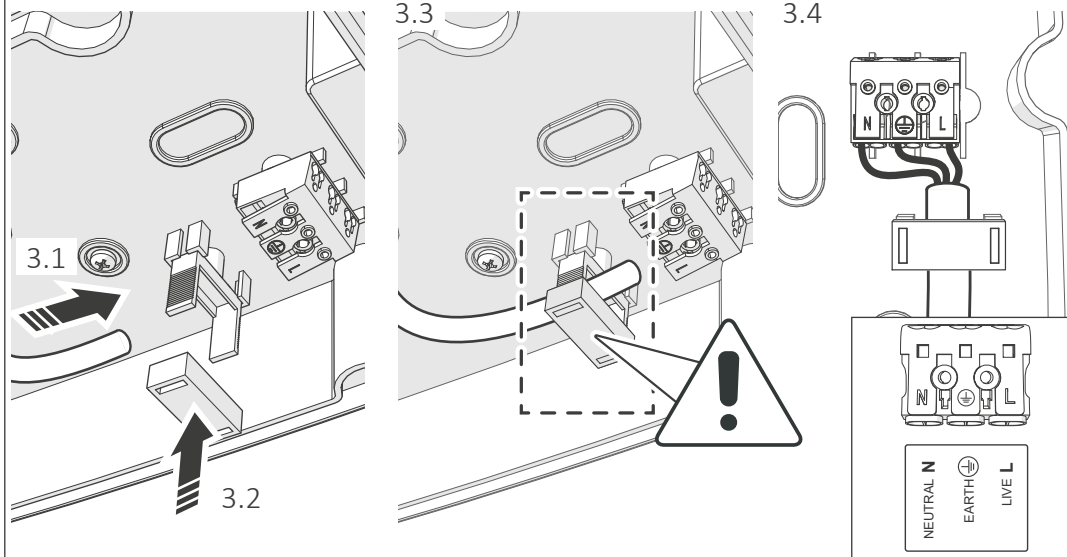


ILEMBH030 / ILEMBH031

1 Installation / Installation / Installatie / Instalación / Installation / Instalacja / Instalação

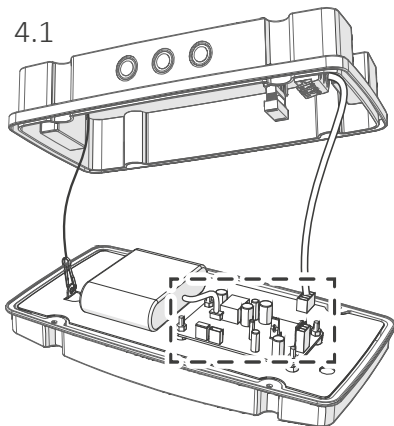


3 Connection / Lien / Verbinding / Conexión / Verbindung / Połączenie / Conexão / Connessione

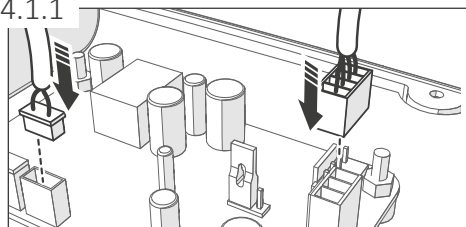


4

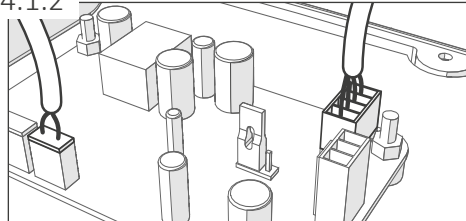
4.1



4.1.1



4.1.2

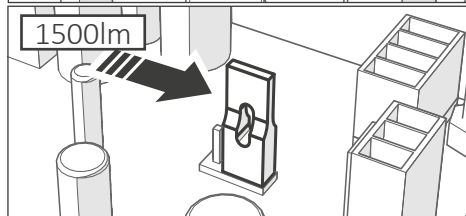
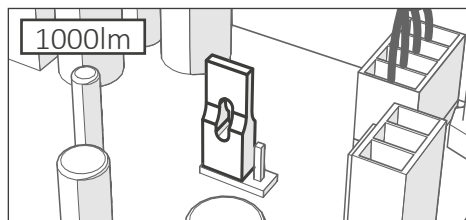
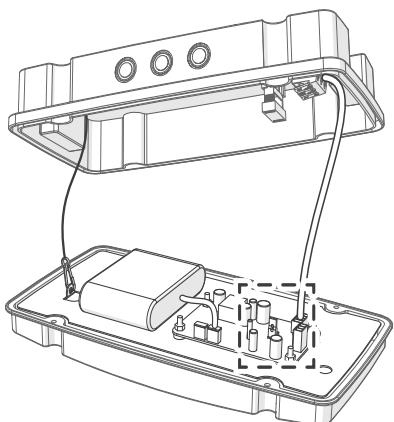


Test Schedule / Calendrier des tests / Test schema/ Calendario de pruebas/ Test Plan/ Harmonogram testów / Cronograma de teste / Programma di prova

Panel Ref / Location		In case of difficulty, contact the Installation Engineers:					
Full Recharge Time 24 Hours		Duration 3 Hours					
TEST RECORD							
Monthly Test	Year 1		Year 2		Year 3		
	Signed	Date	Signed	Date	Signed	Date	
Functional							
Functional							
Functional							
Functional							
Functional							
Functional							
Functional							
Functional							
Functional							
Functional							
Functional							
Three Hour							

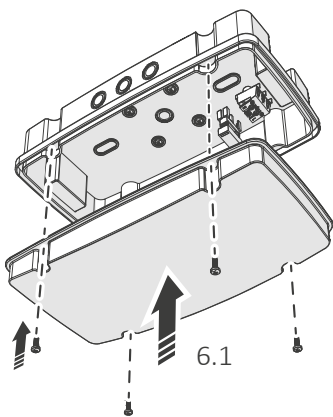
5

Additional settings / Paramètres additionnels / Aanvullende instellingen / Ajustes adicionales / Zusätzliche Einstellungen / Dodatkowe ustawienia / Configurações adicionais / Altre impostazioni

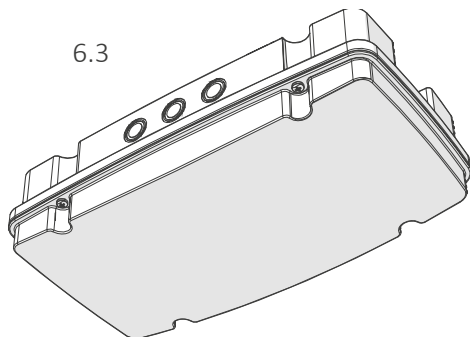


6

6.2



6.3



Warranty/ Technical & contact information are all available at www.integral-led.com

IS1025 A



All Trademarks Acknowledged

Integral LED is a division of Integral Memory plc:
Unit 6, Iron Bridge Close, Iron Bridge Business Park,
London, NW10 0UF, UK
Integral Europe BV, 2801 DG, NL