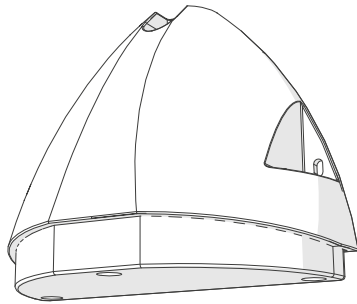
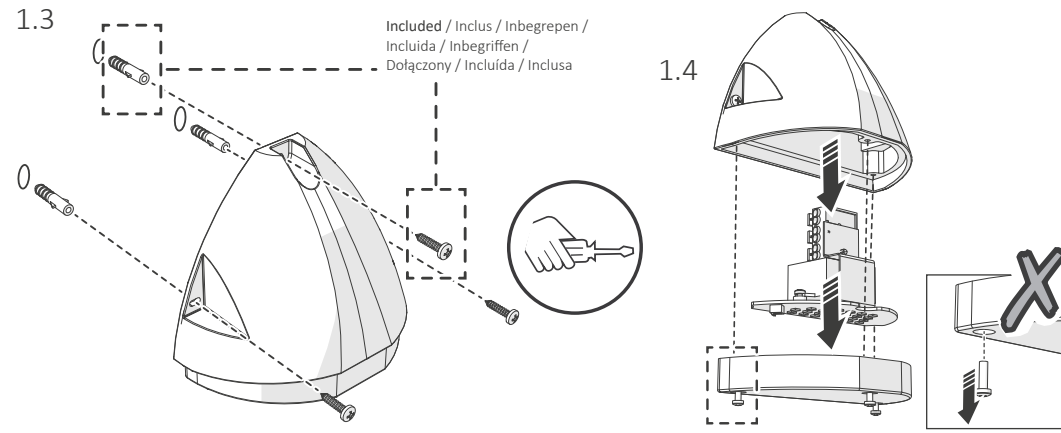
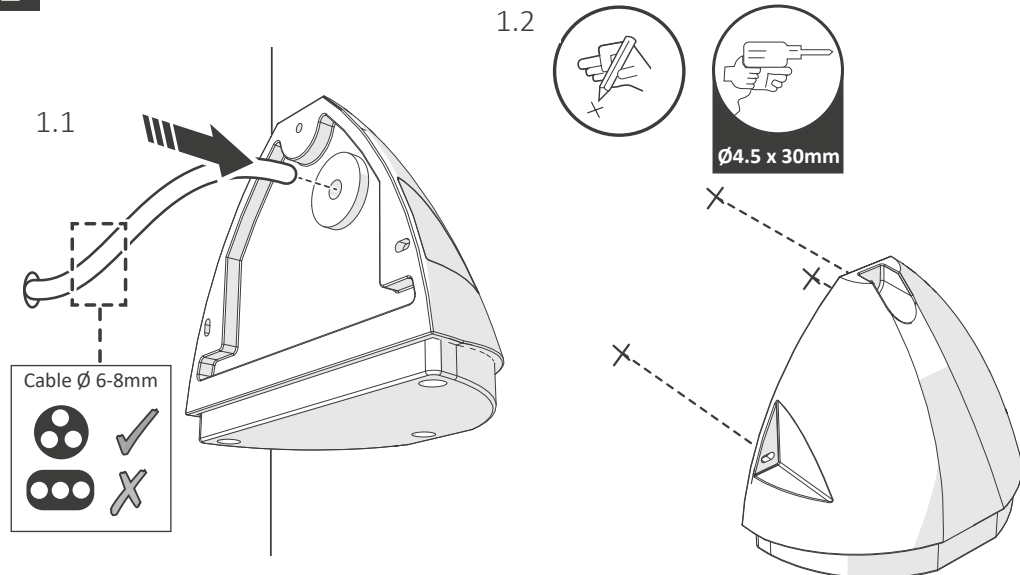




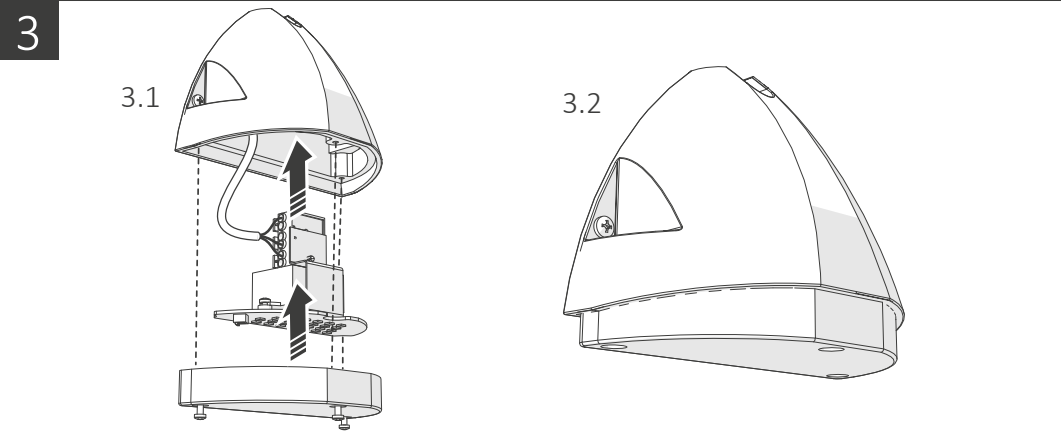
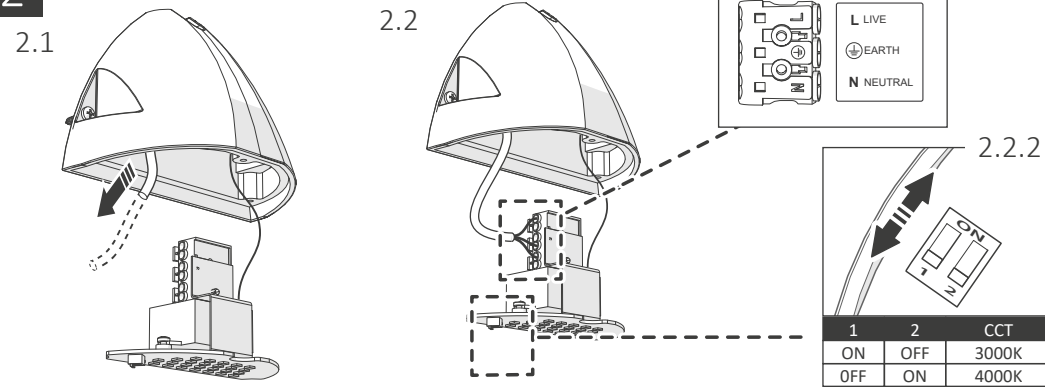
IS 1001



1 Installation / Installation / Installatie / Instalación / Installation / Instalacja / Instalação



2 Connection / Lien / Verbinding / Conexión / Verbindung / Połączenie / Conexão



Warranty/ Technical & contact information are all available at www.integral-led.com

IS1027 A



All Trademarks Acknowledged

Integral LED is a division of Integral Memory plc:
Unit 6, Iron Bridge Close, Iron Bridge Business Park,
London, NW10 0UF, UK
Integral Europe BV, 2801 DG, NL