

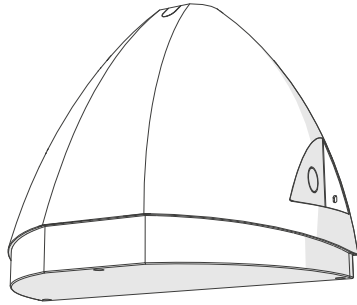


IS 1001



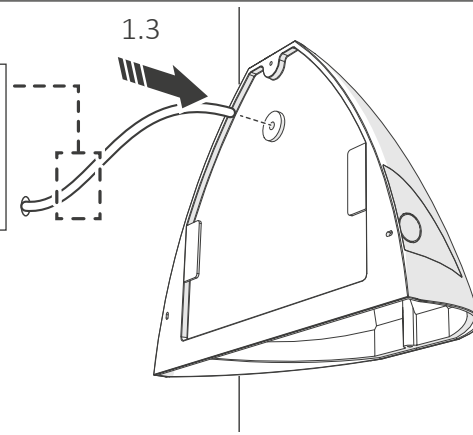
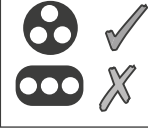
45°C

-25°C



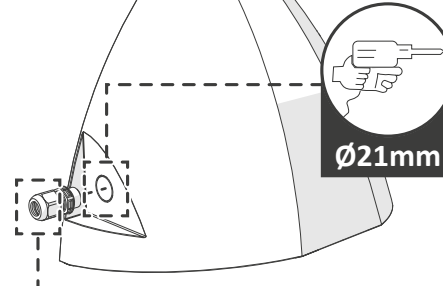
TYPE A

Cable Ø 6-8mm



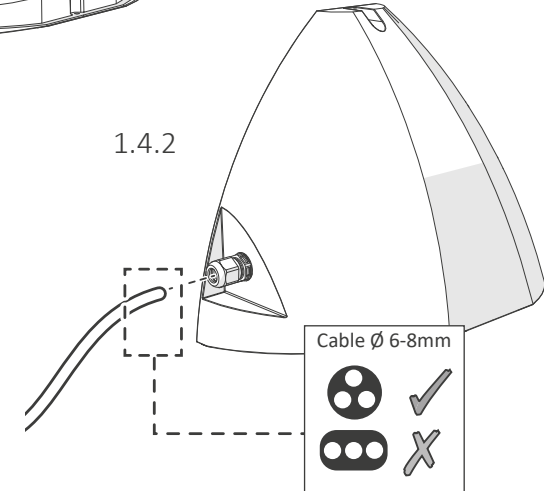
TYPE B

1.4.1

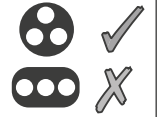


Ø21mm

1.4.2



Cable Ø 6-8mm



By others / par d'autres / door anderen / Por otras / Von anderen / przez innych / por outros / dagli altri

1 Installation / Installation / Installatie / Instalación / Installation / Instalacja / Instalação

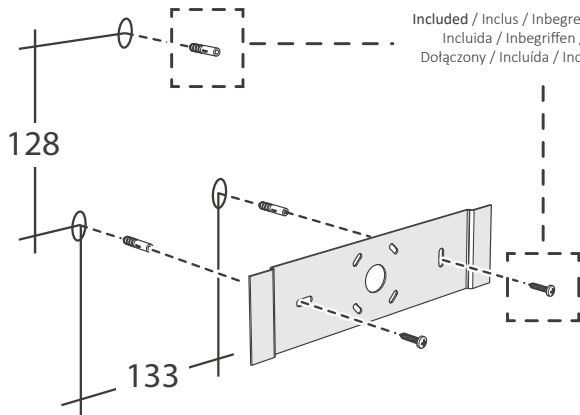
1.1



Ø4.5 x 30mm

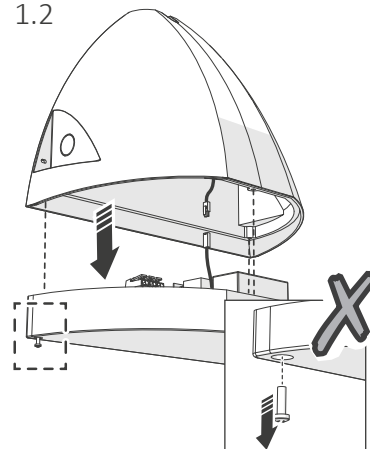
Included / Inclus / Inbegrepen /
Incluida / Inbegriffen /
Dołączony / Incluída / Inclusa

128



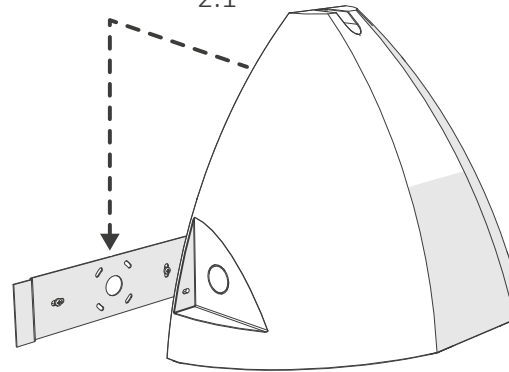
133

1.2

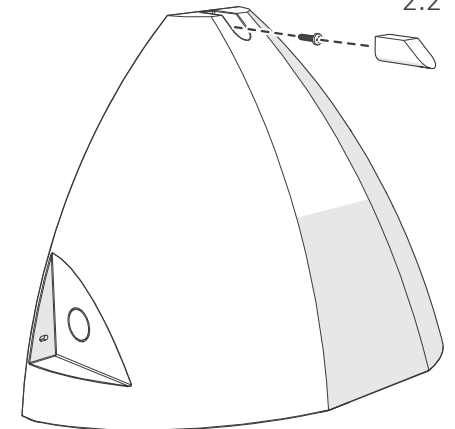


2

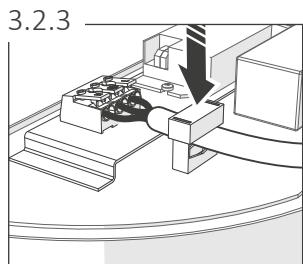
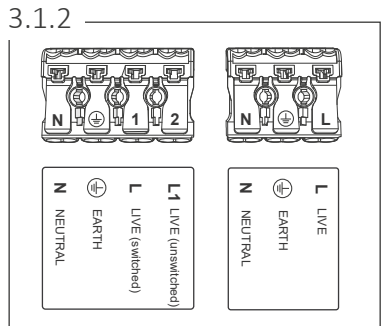
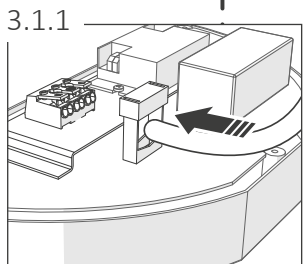
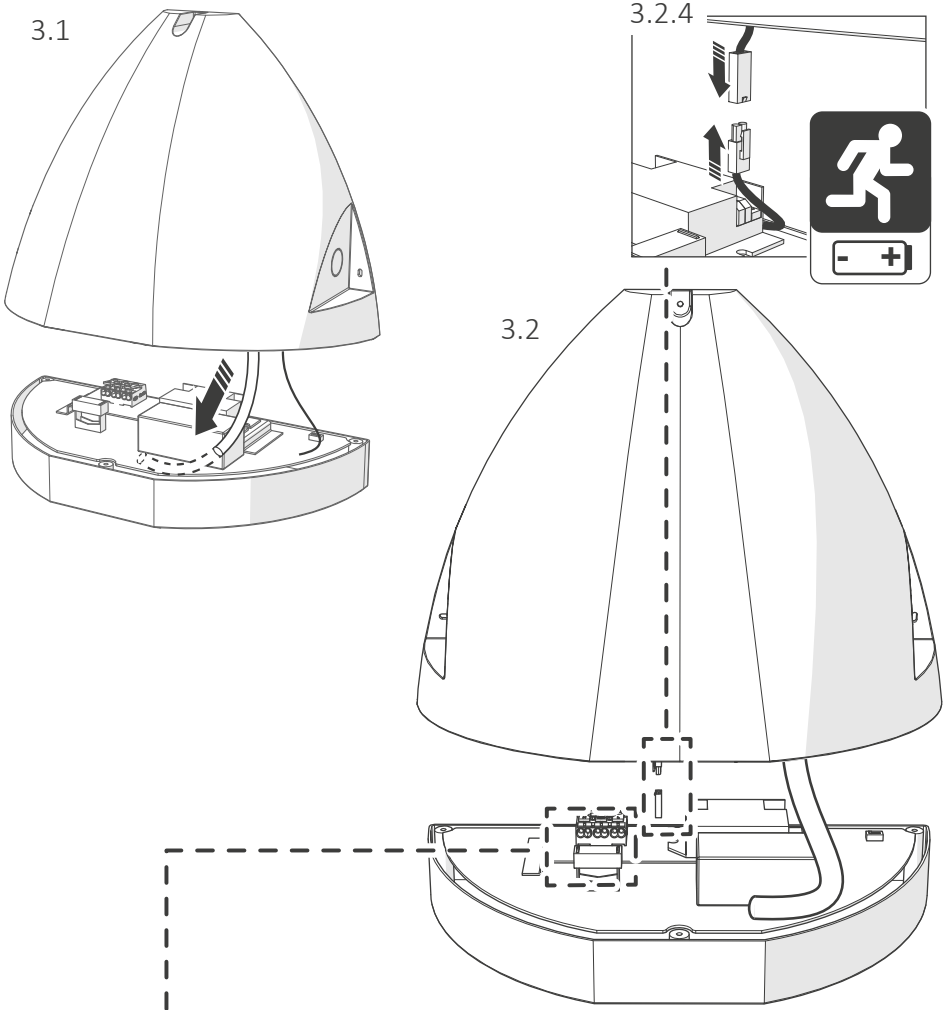
2.1



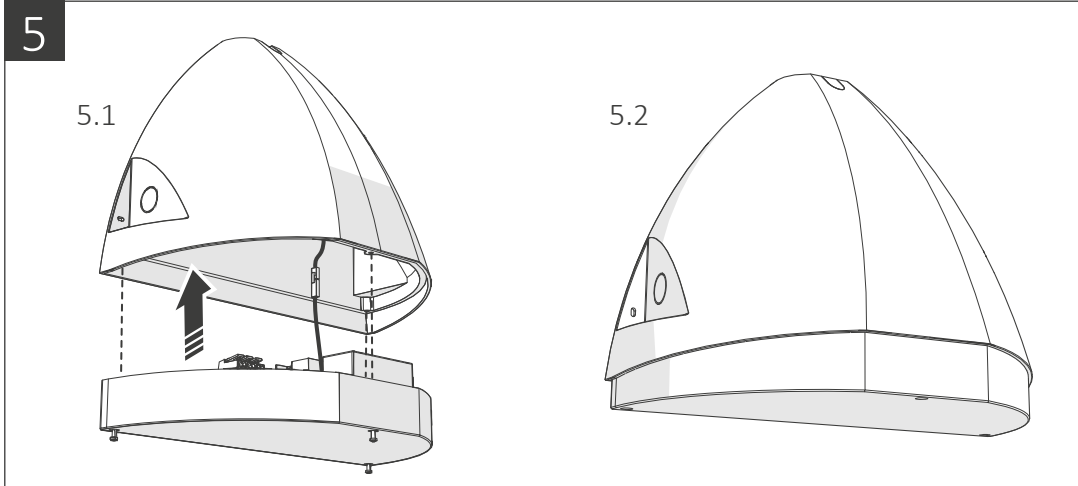
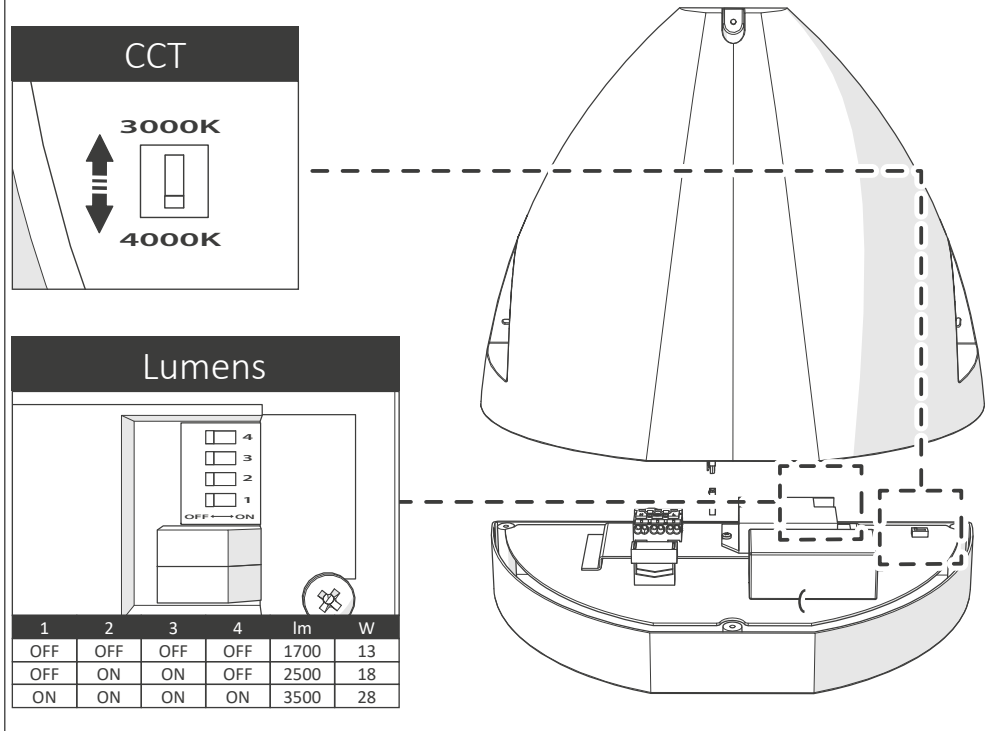
2.2



3 Connection / Lien / Verbinding / Conexión / Verbindung / Potęczenie / Conexão



4 Additional Settings / Paramètres additionnels / Aanvullende instellingen / Ajustes adicionales / Zusätzliche Einstellungen / Dodatkowe ustawienia / Configurações adicionais / Altre impostazioni



Warranty/ Technical & contact information are all available at www.integral-led.com

IS1029 A



All Trademarks Acknowledged

Integral LED is a division of Integral Memory plc:
Unit 6, Iron Bridge Close, Iron Bridge Business Park,
London, NW10 0UF, UK
Integral Europe BV, 2801 DG, NL