

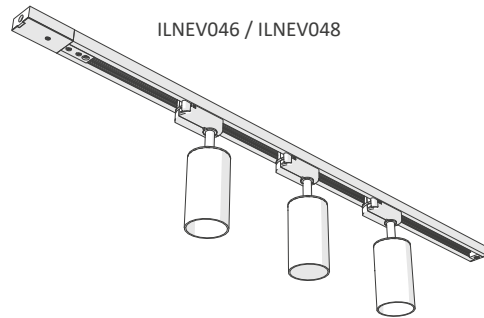
integral™ LED

INSTALLATION INSTRUCTIONS
INSTRUCTIONS D'INSTALLATION
INSTALLATIE INSTRUCTIES
INSTRUCCIONES DE INSTALACIÓN
INSTALLATIONSANLEITUNG
INSTRUKCJE INSTALACJI
INSTRUÇÕES DE INSTALAÇÃO

Accent Plus - 3 FT.

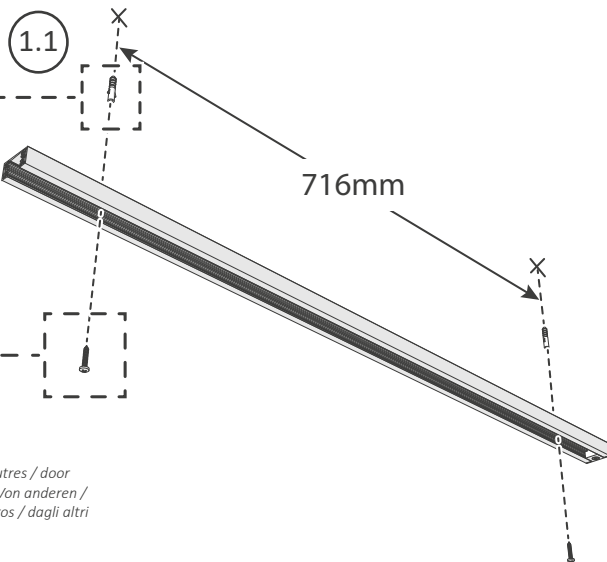
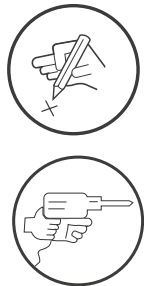


IS 1001



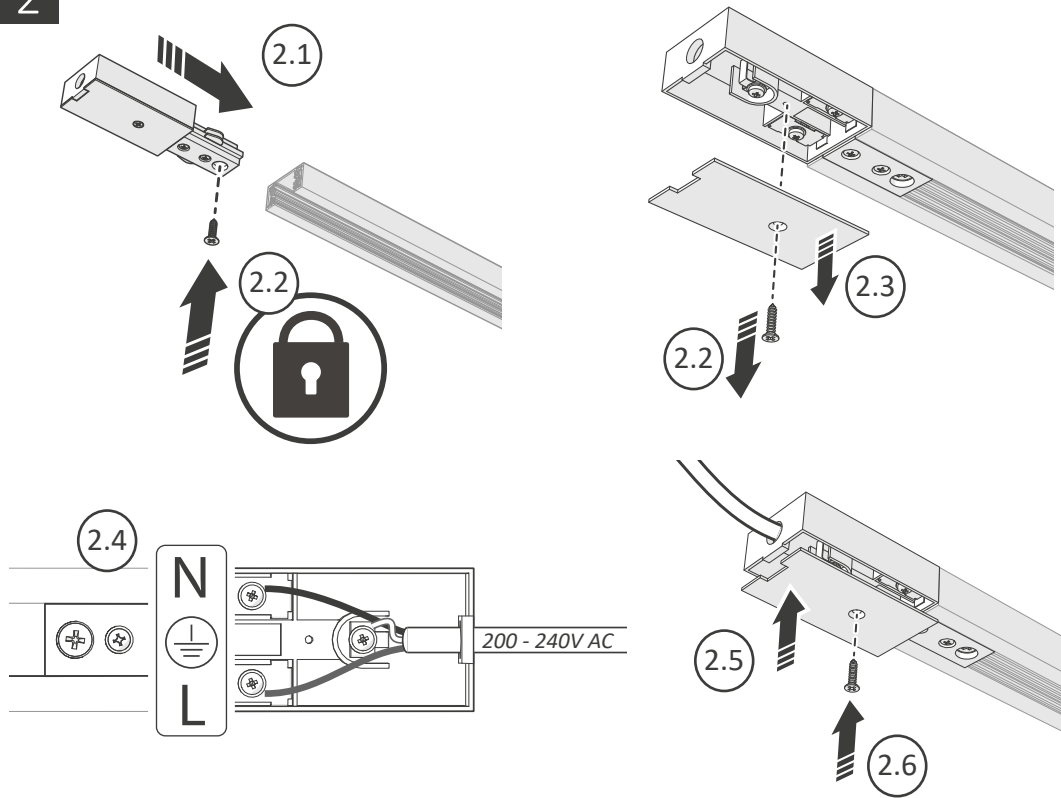
ILNEV046 / ILNEV048

1 Installation / Installation / Installatie / Instalación / Installation / Instalacja / Instalação

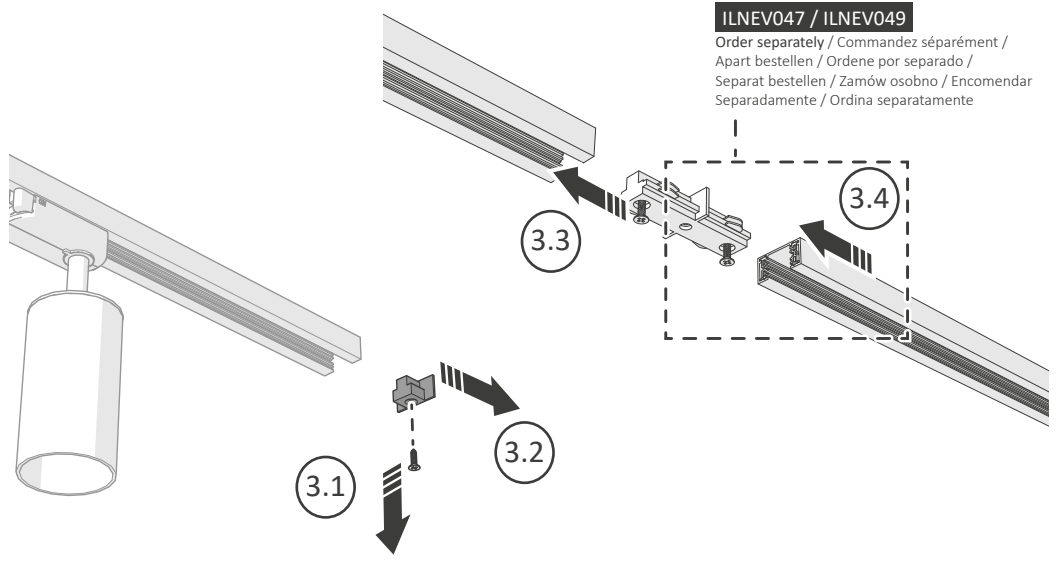


By others / par d'autres / door
anderen / Por otras / Von anderen /
przez innych / por outros / dagli altri

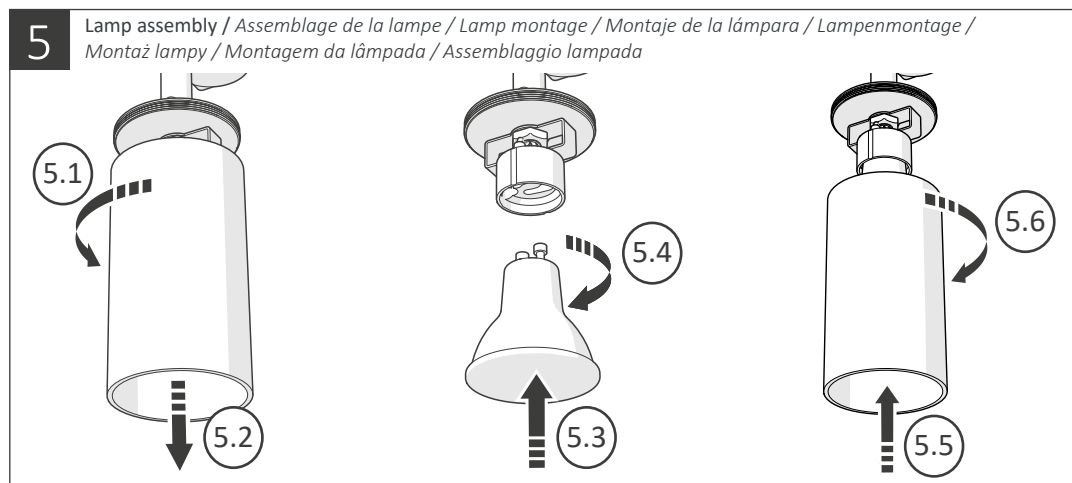
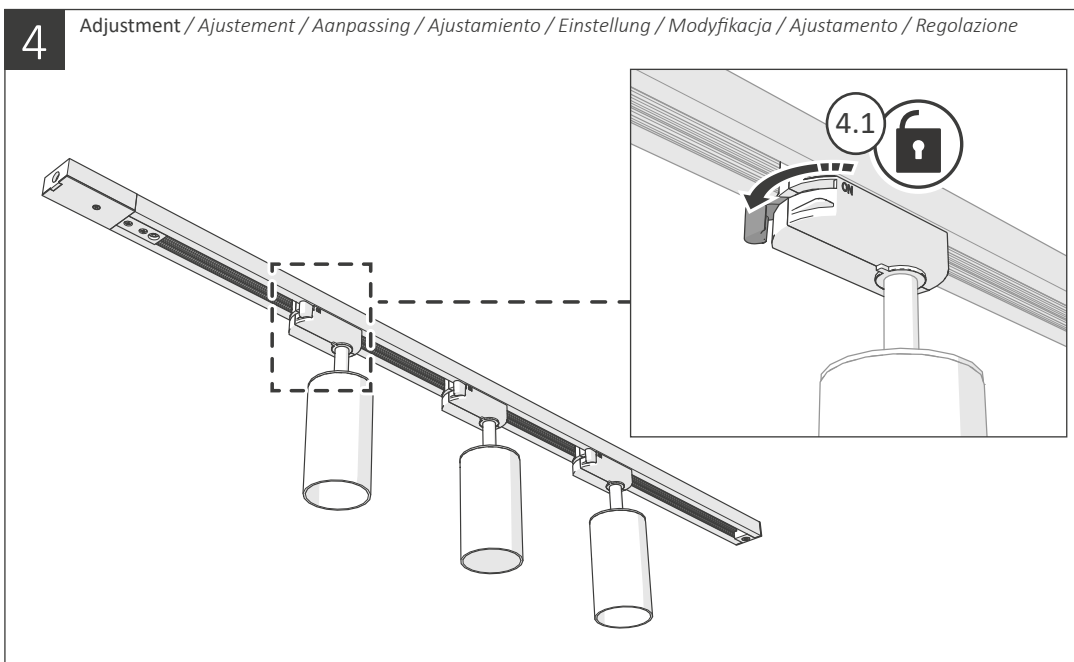
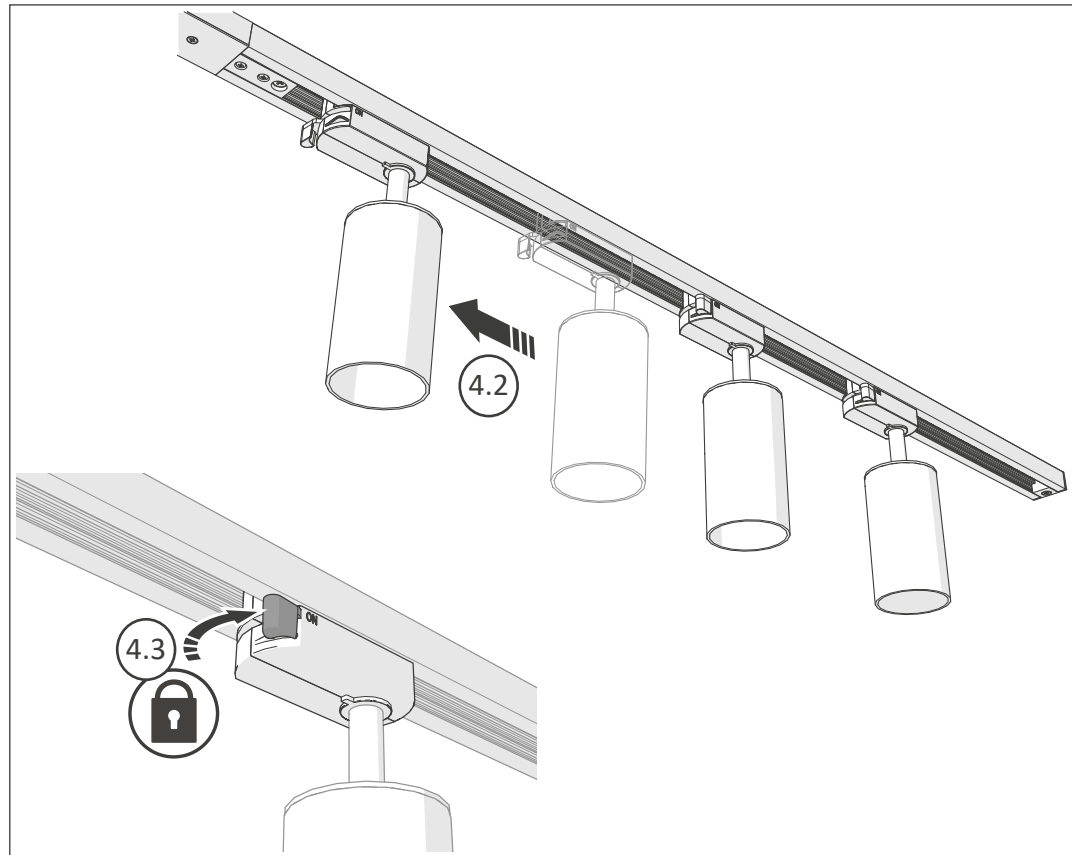
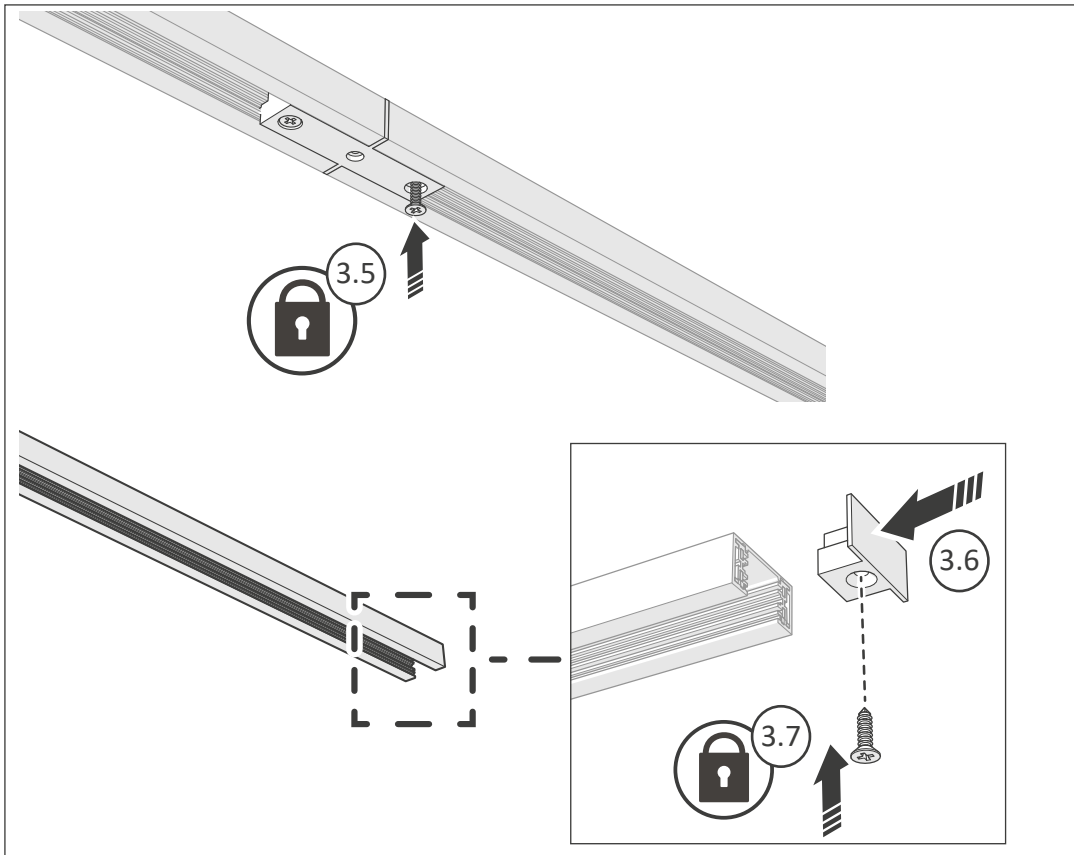
2 Connection / Lien / Verbinding / Conexión / Verbindung / Połączenie / Conexão / Connessione



3 Continuous Installation / Installation continue / Continue installatie / Instalación continua / Kontinuierliche Installation / Instalacja ciągła / Instalação Contínua / Installazione continua



ILNEV047 / ILNEV049
Order separately / Commandez séparément /
Apart bestellen / Ordene por separado /
Separat bestellen / Zamów osobno / Encomendar
Separadamente / Ordina separatamente



Warranty/ Technical & contact information are all available at www.integral-led.com

IS1052 A



All Trademarks Acknowledged

Integral LED is a division of Integral Memory plc:
Unit 6, Iron Bridge Close, Iron Bridge Business Park,
London, NW10 0UF, UK
Integral Europe BV, 2801 DG, NL