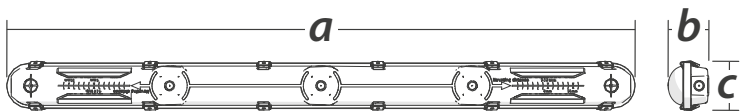
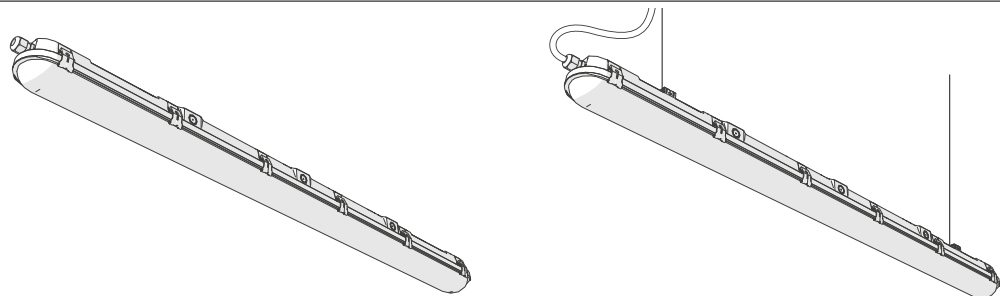


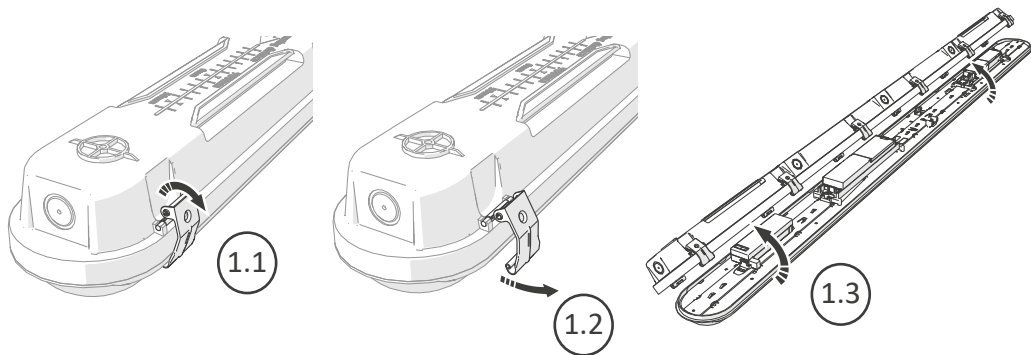


IS 1001

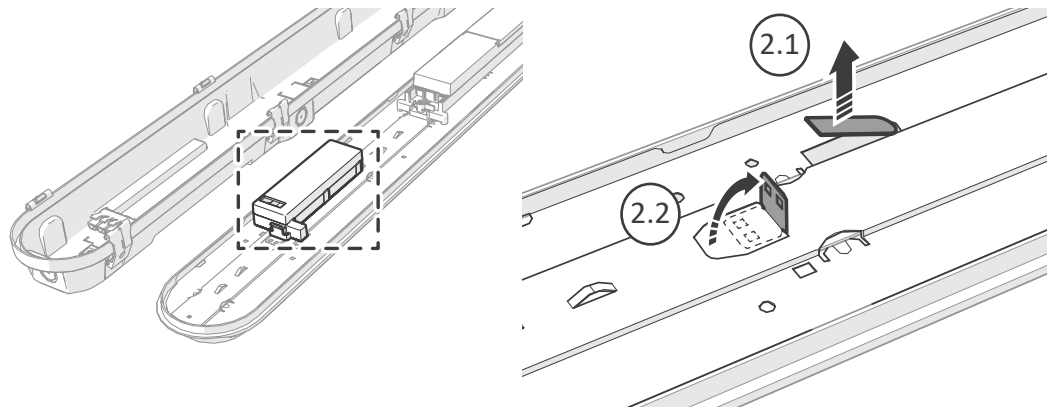


Product	a (mm)	b (mm)	c (mm)
2FT.	668	82	99
4FT.	1270	82	99
5FT.	1570	82	99
6FT.	1870	82	99

## 1 Preparation for Installation / Préparation à l'installation / Voorbereiding voor installatie / Preparación para la instalación / Vorbereitung für die Installation / Przygotowanie do instalacji / Preparação para instalação / Preparazione per l'installazione

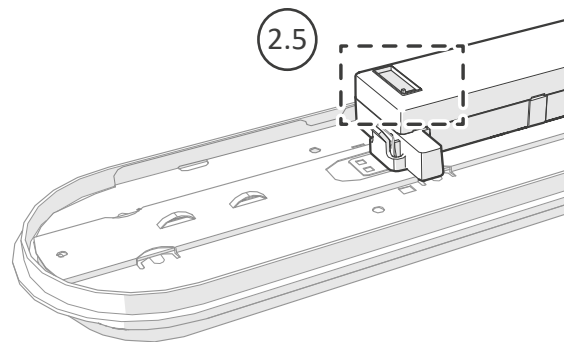
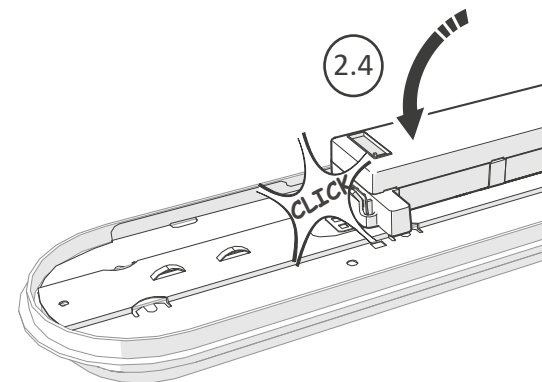
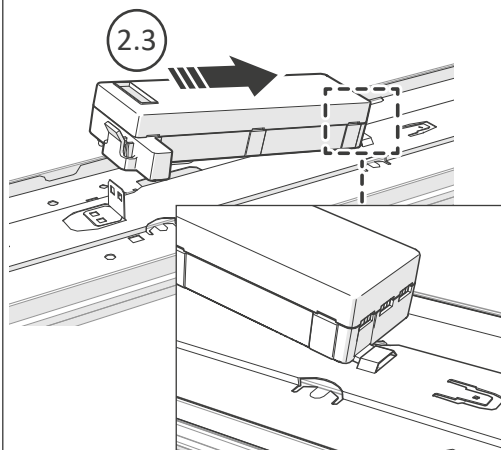


## 2 Installation - Microwave detector / Installation - détecteur de micro-ondes / Installatie - magnetron detector / Instalación - detector de microondas / Installation - mikrowellendetektor / Instalacja - detektor mikrofalowy / Instalação - detector de microondas / Installazione - rilevatore di microonde



ILBTASE010

Order Separately / Commandez séparément / Apart bestellen / Ordene por separado / Separat bestellen / Zamów osobno / Encomendar Separadamente / Ordina separatamente



Sensor Function / Fonction de capteur / Sensor Functie / Función de sensor / Sensorfunktion / Funkcji czujnika / Função de sensor / Funzione del sensore

Detection Area	1	2
100%	ON	ON
75%	OFF	ON
50%	ON	OFF
25%	OFF	OFF

Hold Time	3	4	5
5 sec.	ON	ON	ON
30 sec.	OFF	ON	ON
90 sec.	ON	OFF	ON
5 min.	OFF	OFF	ON
20 min.	ON	ON	OFF
30 min.	OFF	OFF	OFF

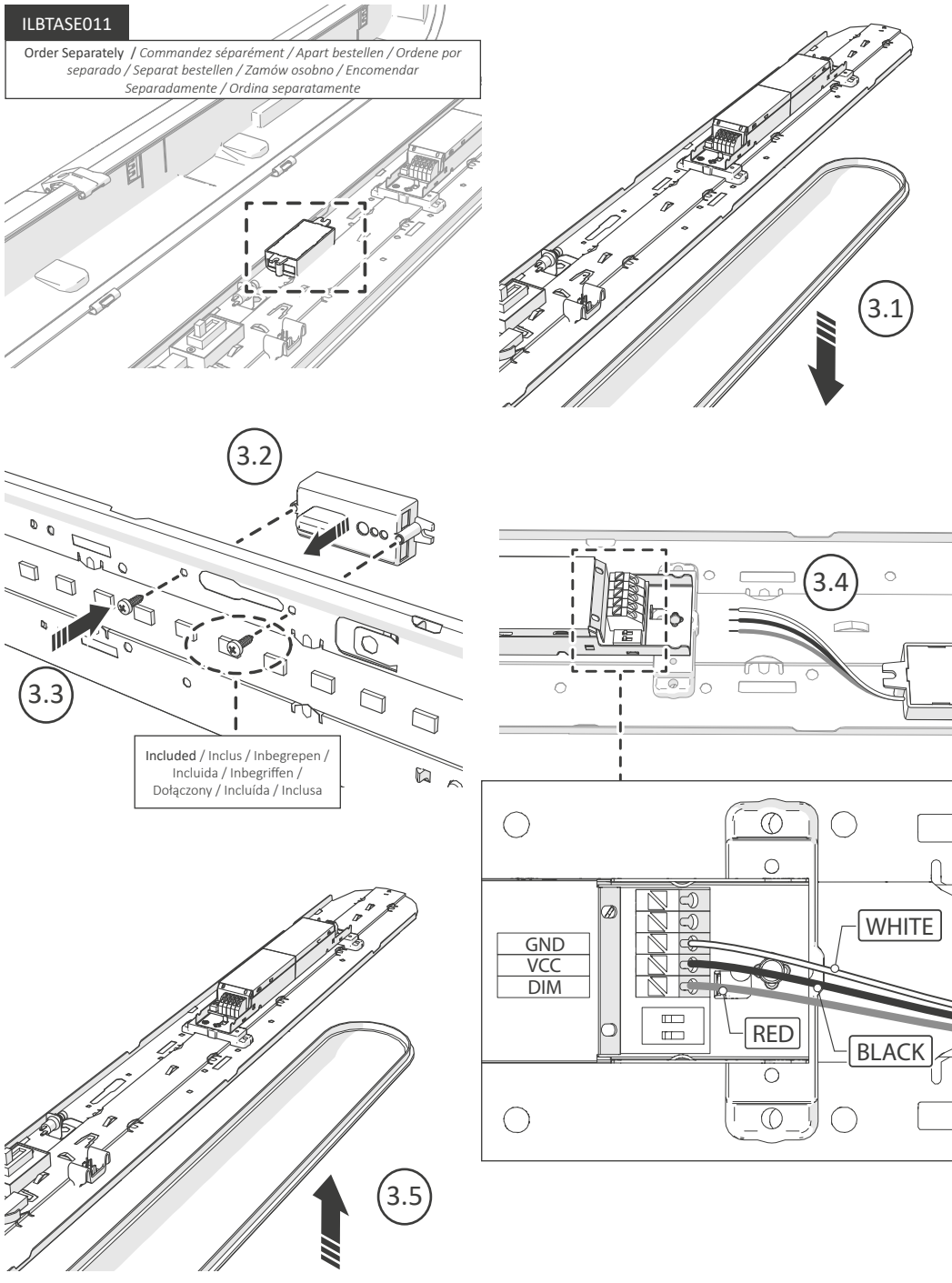
Daylight Sensor	6	7	8
2 LUX	ON	ON	ON
10 LUX	ON	ON	OFF
30 LUX	OFF	ON	OFF
50 LUX	ON	OFF	OFF
Disabled	OFF	OFF	OFF

**3**

Installation - Corridor Function Sensor / Installation - Capteur de fonction de couloir / Installatie - Gangfunctiesensor / Instalación - Sensor de función de pasillo / Installation - Korridor-Funktionssensor / Instalacja - Czujnik funkcji korytarza / Instalação - Sensor de função de corredor / Installazione - Sensore di funzione del corridoio

**ILBTASE011**

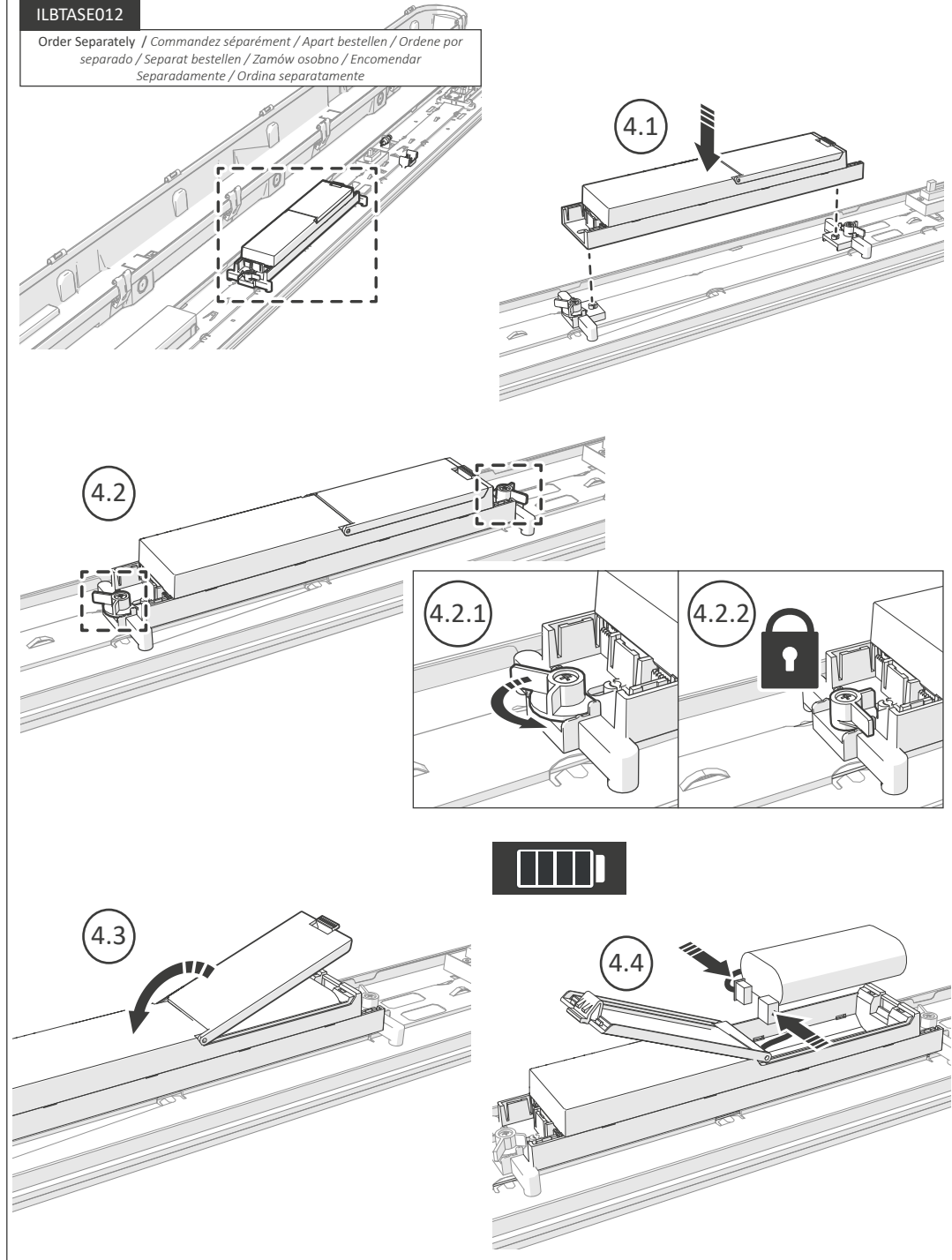
Order Separately / Commandez séparément / Apart bestellen / Ordene por separado / Separat bestellen / Zamów osobno / Encomendar Separadamente / Ordina separatamente

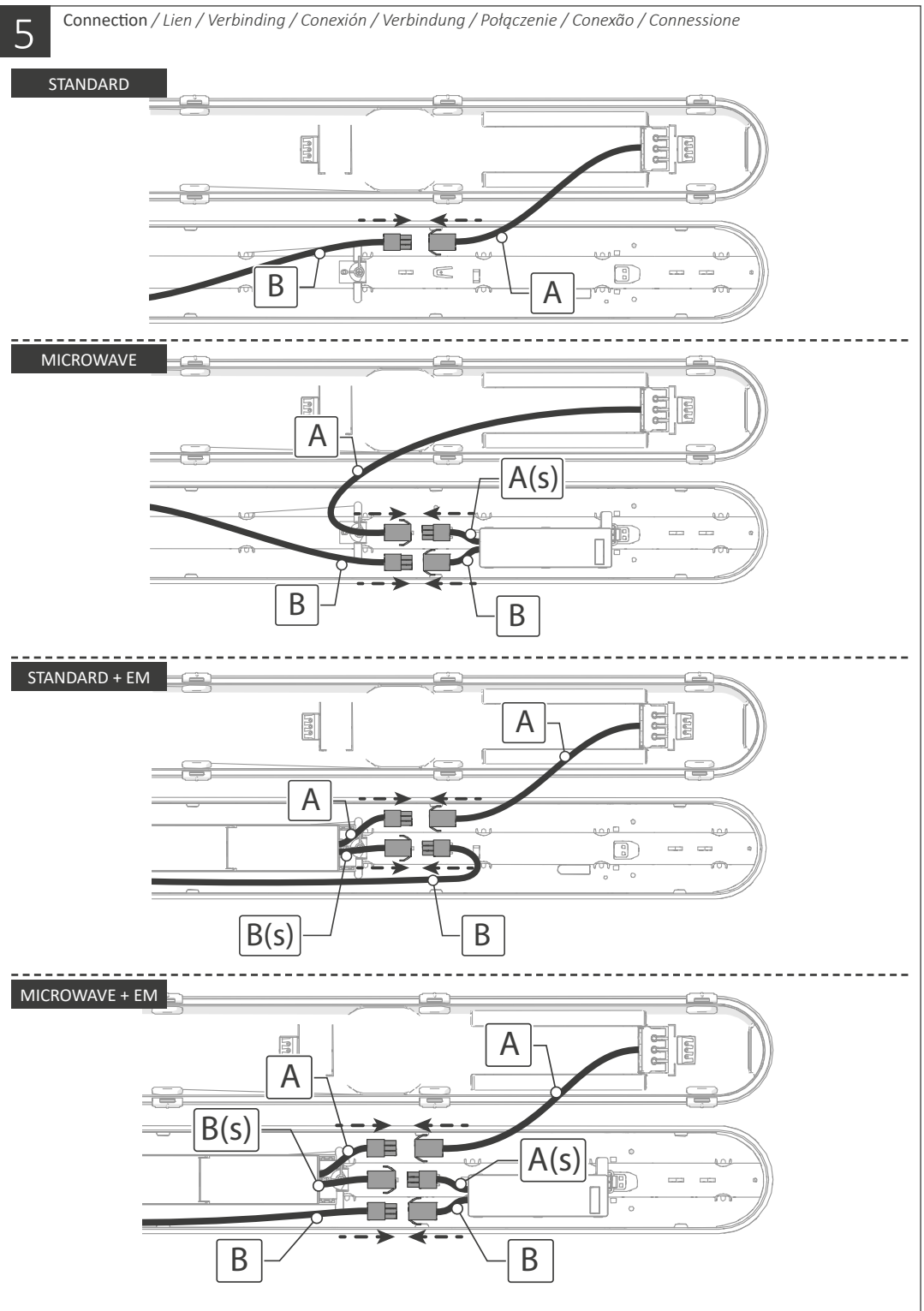
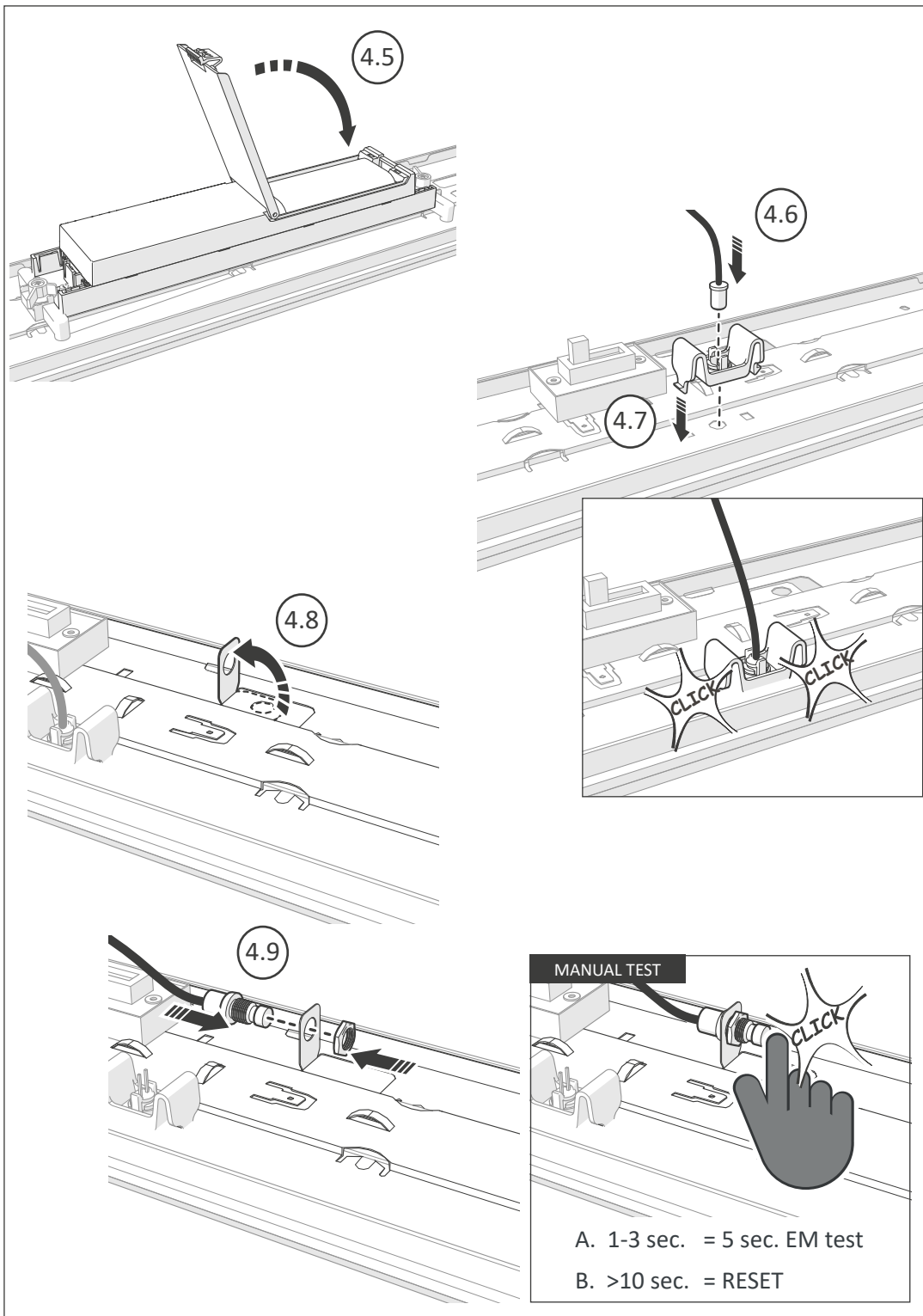
**4**

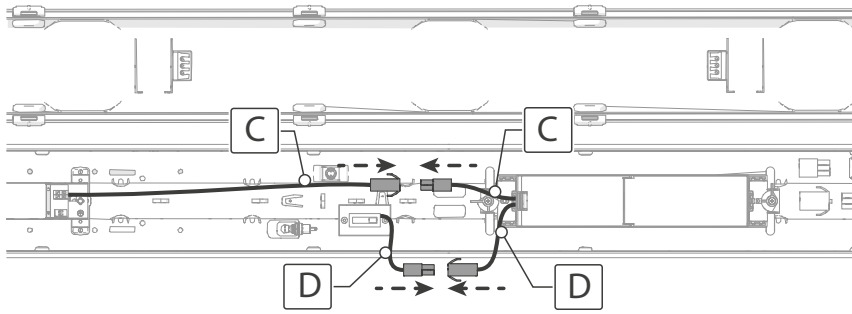
Installation - emergency module / Installation - module d'urgence / Installatie - noodmodule / Instalación - módulo de emergencia / Installation - Notfallmodul / Instalacja - moduł awaryjny / Instalação - módulo de emergência / Installazione - modulo di emergenza

**ILBTASE012**

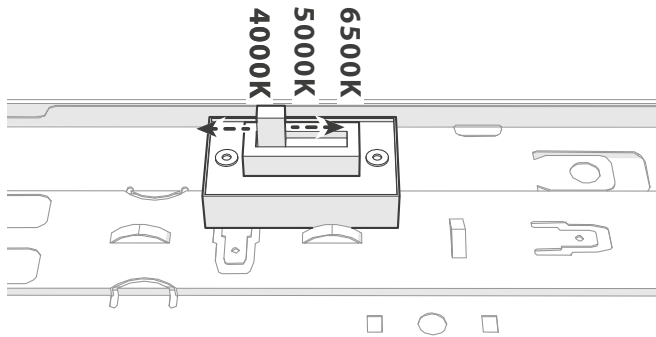
Order Separately / Commandez séparément / Apart bestellen / Ordene por separado / Separat bestellen / Zamów osobno / Encomendar Separadamente / Ordina separatamente



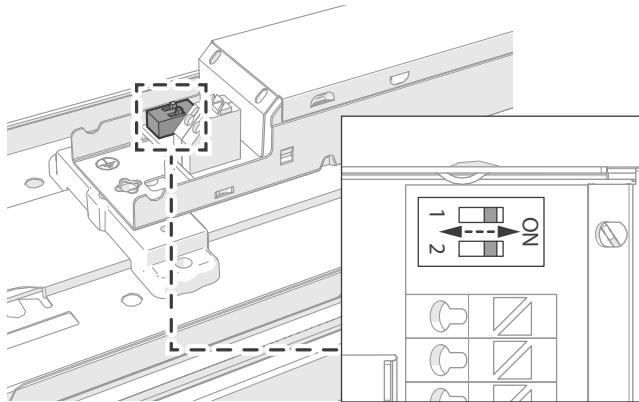




**i** Additional Settings - CCT / Paramètres additionnels - CCT / Aanvullende instellingen - CCT / Ajustes adicionales - CCT / Zusätzliche Einstellungen - CCT / Dodatkowe ustawienia - CCT / Configurações adicionais - CCT / Altre impostazioni - CCT



**i** Additional Settings - Power / Paramètres additionnels - Pouvoir / Aanvullende instellingen - Stroom / Ajustes adicionales - Fuerza / Zusätzliche Einstellungen - Leistung / Dodatkowe ustawienia - Moc / Configurações adicionais - Poder / Altre impostazioni - Energia



2 FT.	Power (W)	Output (mA)	1	2
	9	200	OFF	OFF
	12	250	ON	OFF
	15	300	OFF	ON
	18	350	ON	ON

4 FT.	Power (W)	Output (mA)	1	2
	18	200	OFF	OFF
	24	250	ON	OFF
	30	300	OFF	ON
	36	350	ON	ON

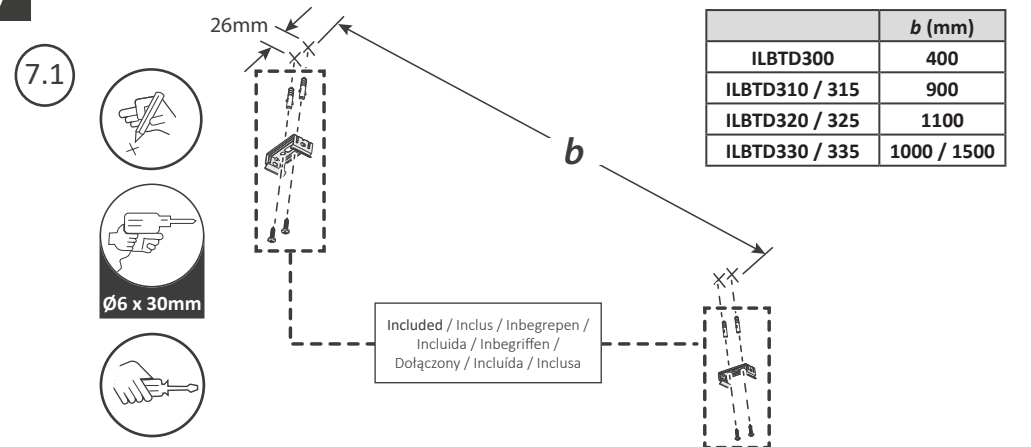
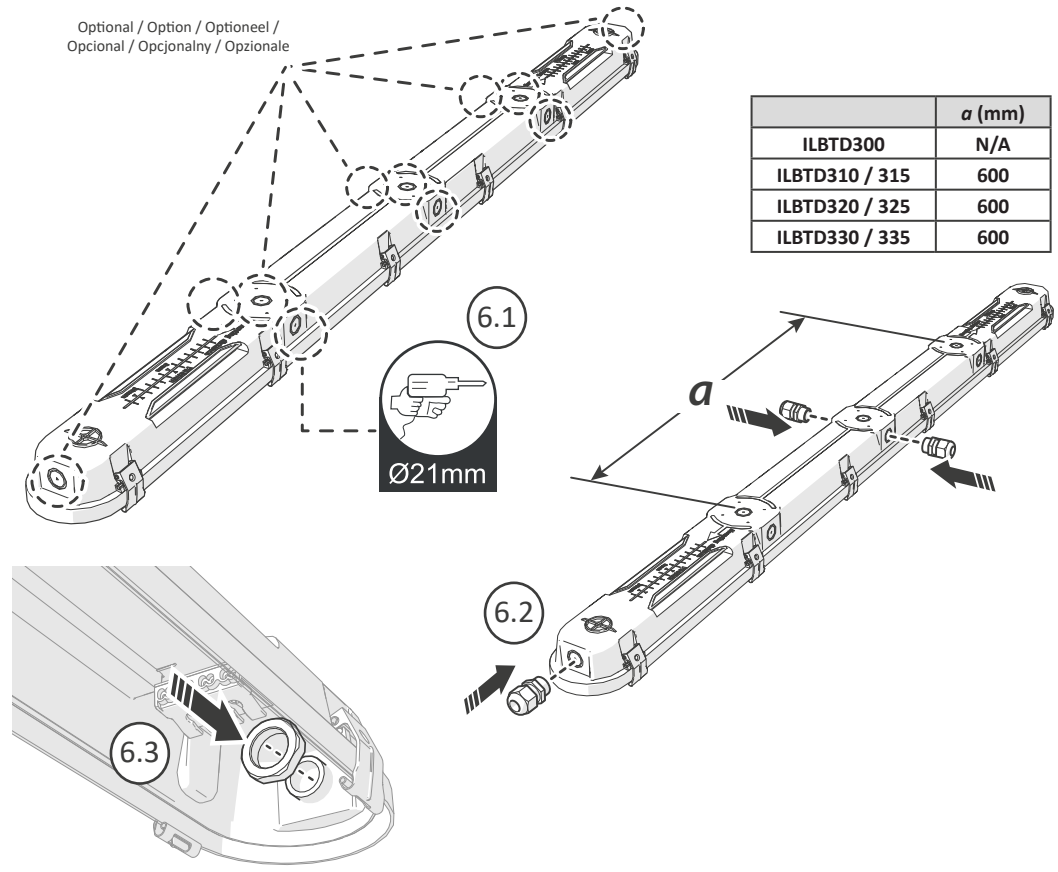
  

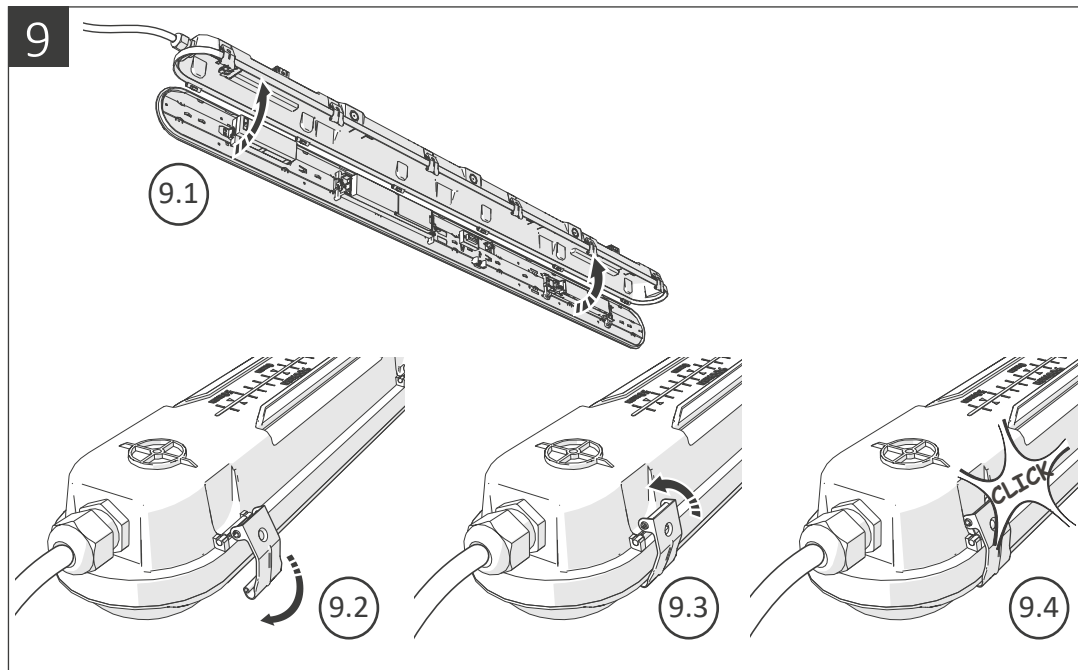
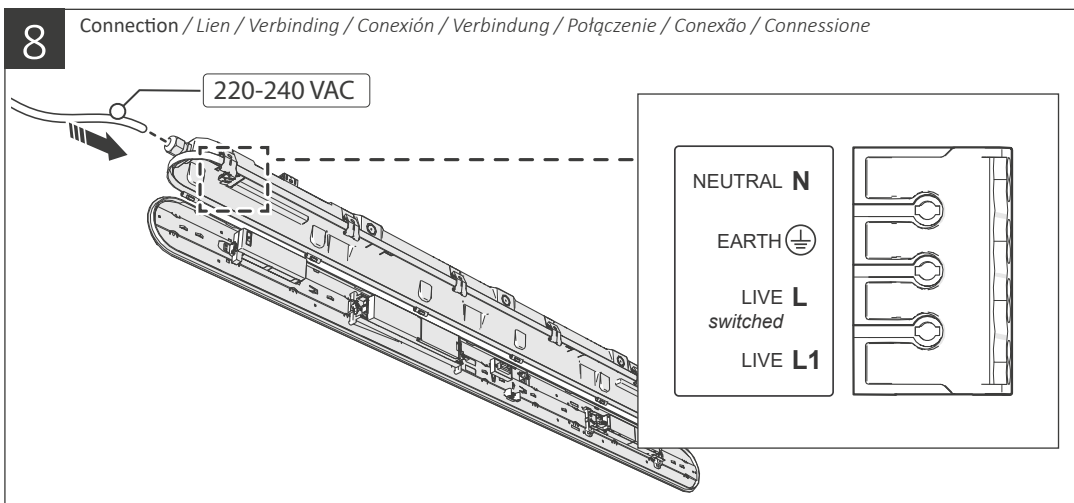
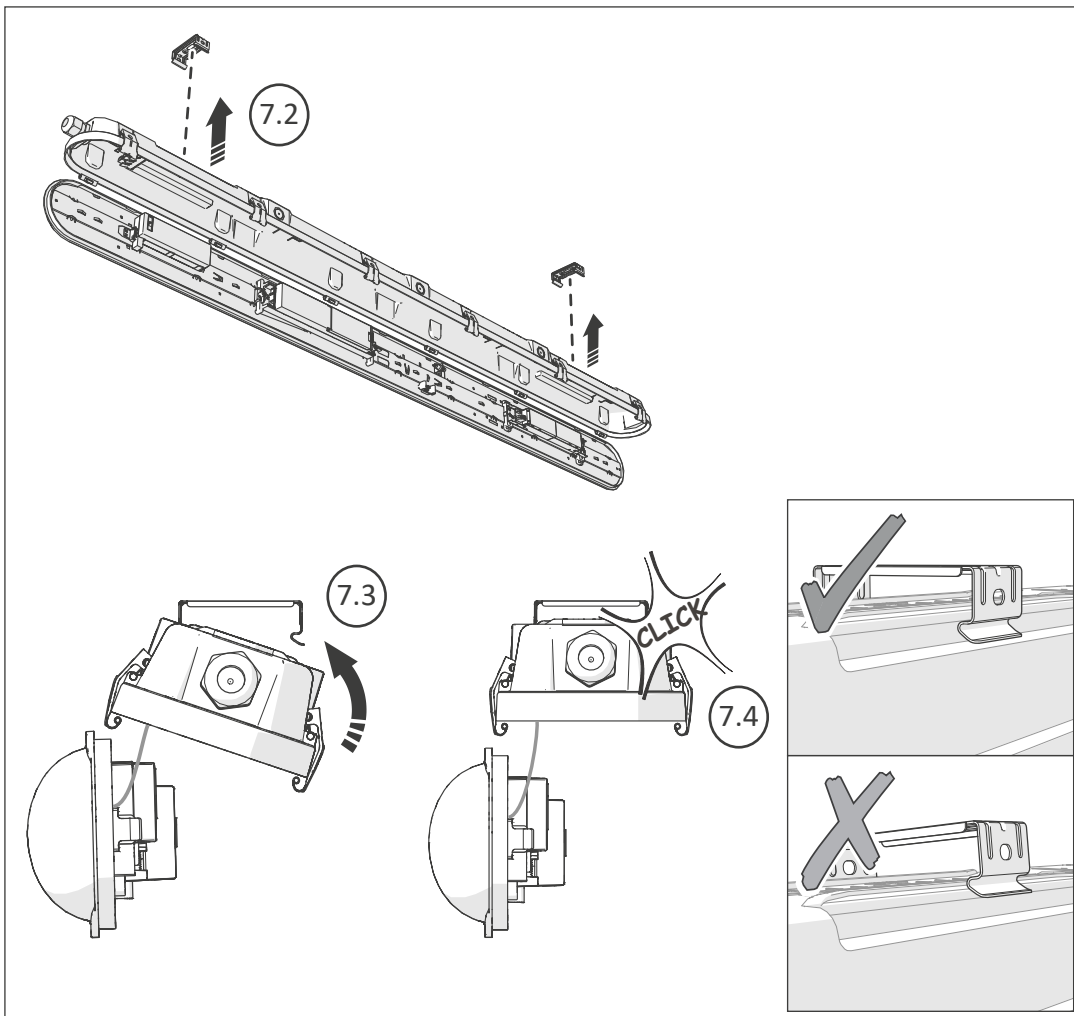
5 FT.	Power (W)	Output (mA)	1	2
	25	200	OFF	OFF
	33	250	ON	OFF
	41	300	OFF	ON
	50	350	ON	ON

6 FT.	Power (W)	Output (mA)	1	2
	35	350	OFF	OFF
	47	400	ON	OFF
	58	500	OFF	ON
	70	550	ON	ON

Optional / Option / Optioneel / Opcional / Opcjonalny / Opzionale

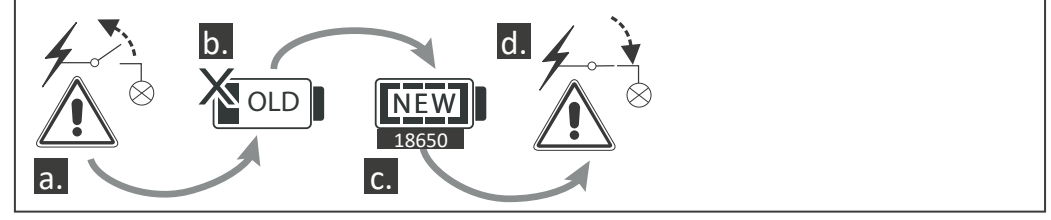




**10** Indicator LED / Indicateur LED / Indicator-LED / LED indicador / Anzeige-LED / Wskaźnik LED / LED indicador / Indicatore LED

LED	LED Colour	Status
	GREEN / Vert / Groente / Verde / Grün / Zielony	
	GREEN / Vert / Groente / Verde / Grün / Zielony	On / Off TEST
	GREEN / Vert / Groente / Verde / Grün / Zielony	TEST
	RED / Rouge / Rood / Rojo / Rot / Czerwony / Vermelho / Rosso	OR
	RED / Rouge / Rood / Rojo / Rot / Czerwony / Vermelho / Rosso	
	RED / Rouge / Rood / Rojo / Rot / Czerwony / Vermelho / Rosso	OR
	GREEN / Vert / Groente / Verde / Grün / Zielony + RED / Rouge / Rood / Rojo / Rot / Czerwony / Vermelho / Rosso	OR

Replace Battery / Remplacer la batterie / Vervang de batterij / Reemplazar la batería / Batterie austauschen / Wymień baterię / Substitua a bateria / Sostituire la batteria **[3.2V LiFePO4 1W / 1500mA]**



Ref / Location	In case of difficulty, contact the Installation Engineers:
.....	.....

Full Recharge Time 24 Hours	Duration 3 Hours
-----------------------------	------------------

**TEST RECORD**

Monthly Test	Year 1		Year 2		Year 3	
	Signed	Date	Signed	Date	Signed	Date
Functional						
Functional						
Functional						
Functional						
Functional						
Functional						
Functional						
Functional						
Functional						
Functional						
Functional						
Functional						
Functional						
Three Hour						

