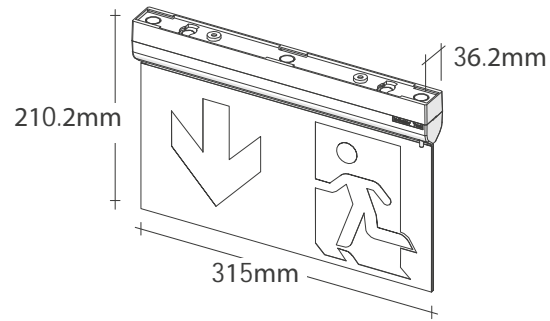


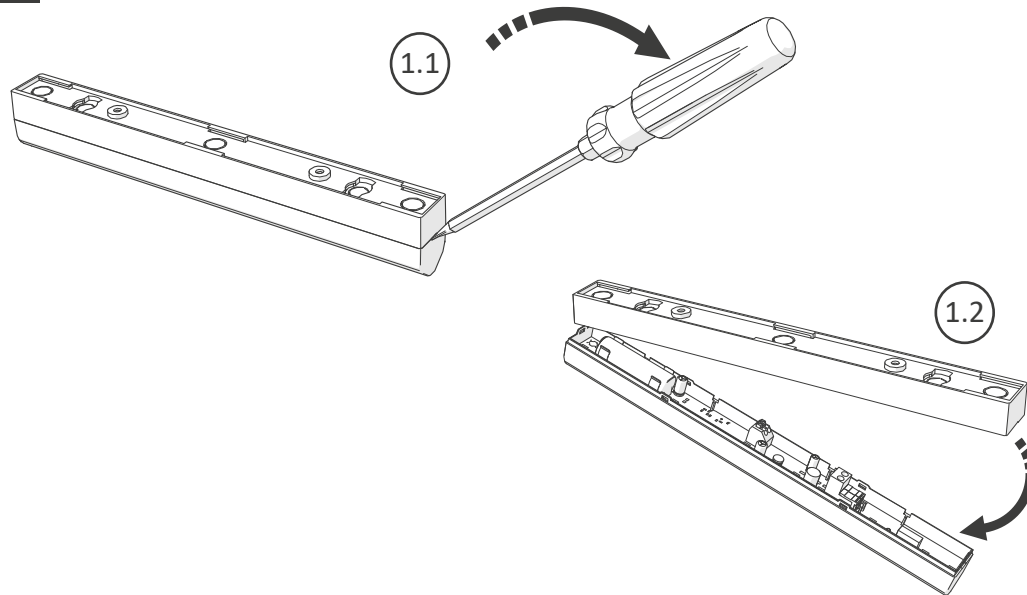
integral™ LED

INSTALLATION INSTRUCTIONS
INSTRUCTIONS D'INSTALLATION
INSTALLATIE INSTRUCTIES
INSTRUCCIONES DE INSTALACIÓN
INSTALLATIONSANLEITUNG
INSTRUKCJE INSTALACJI
INSTRUÇÕES DE INSTALAÇÃO

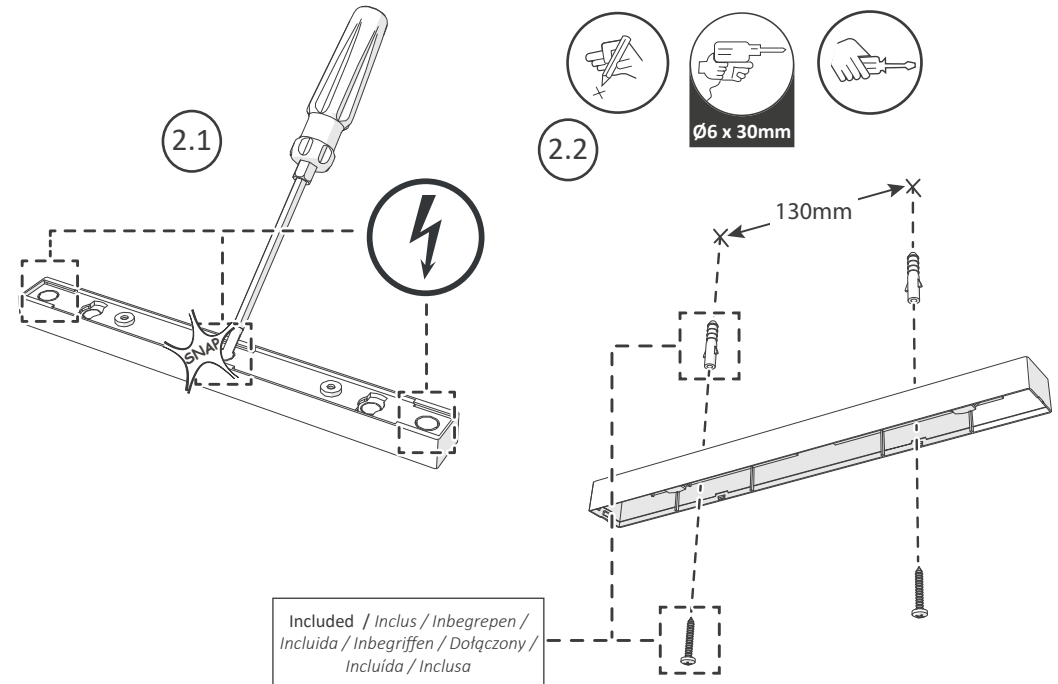
Emergency Multi Fit



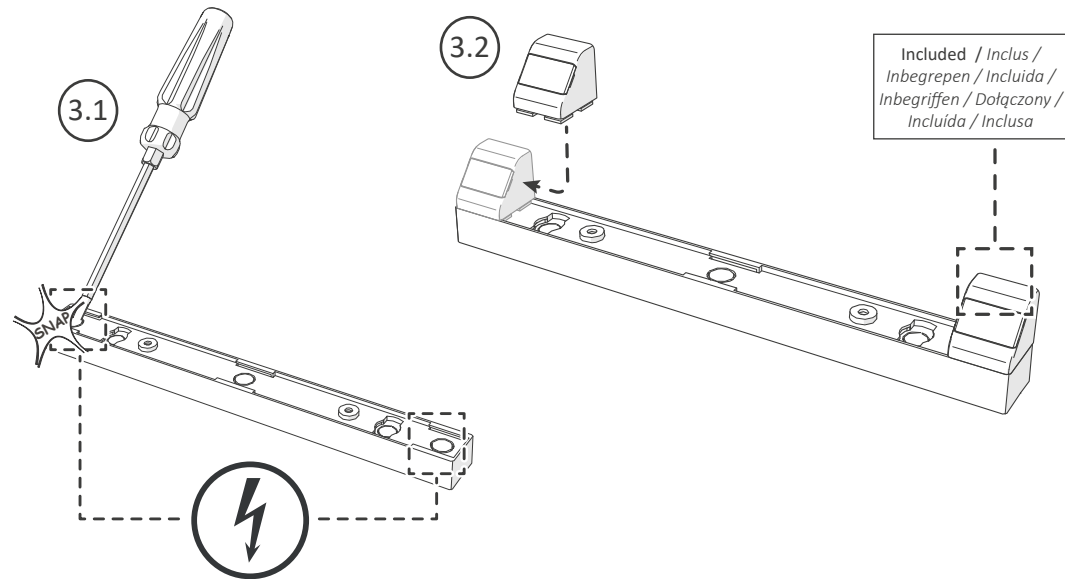
1 Installation / Installation / Installatie / Instalación / Installation / Instalacja / Instalação

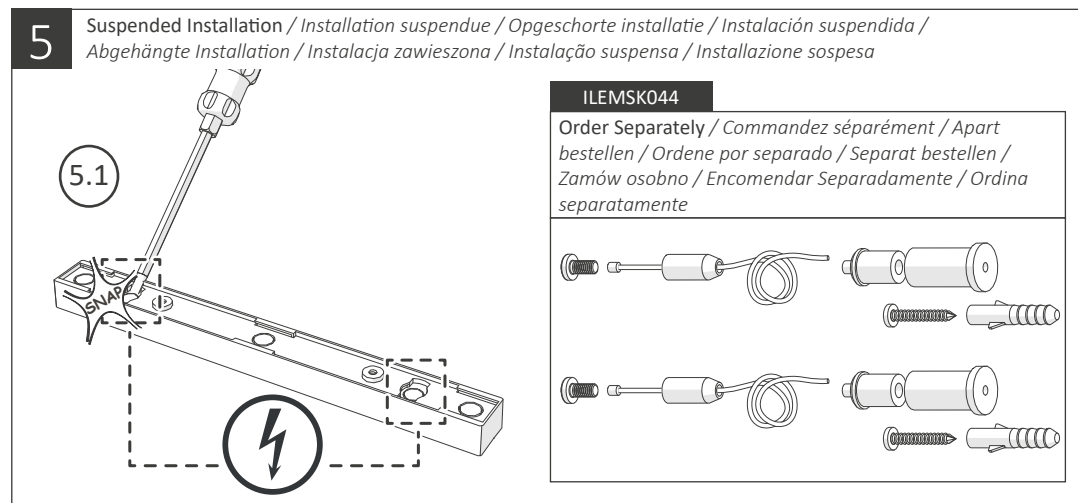
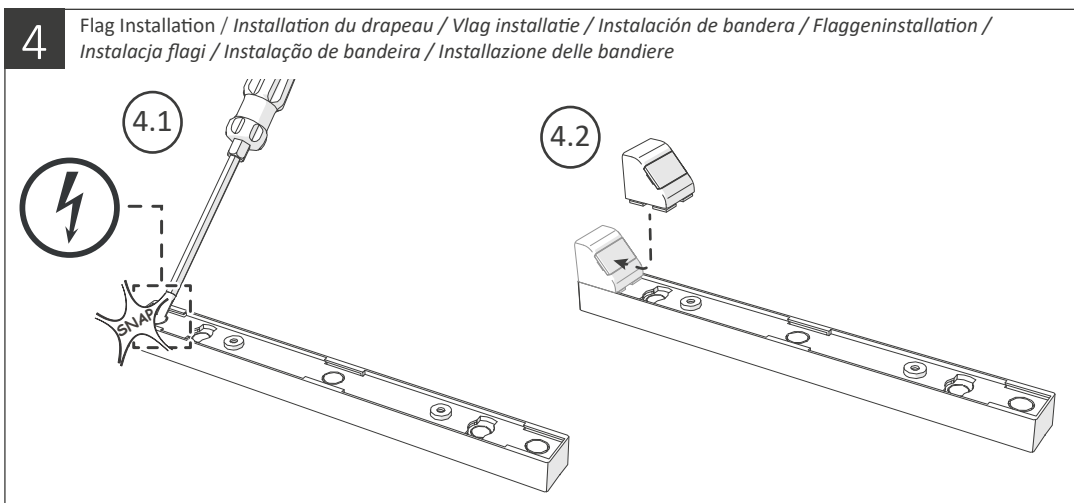
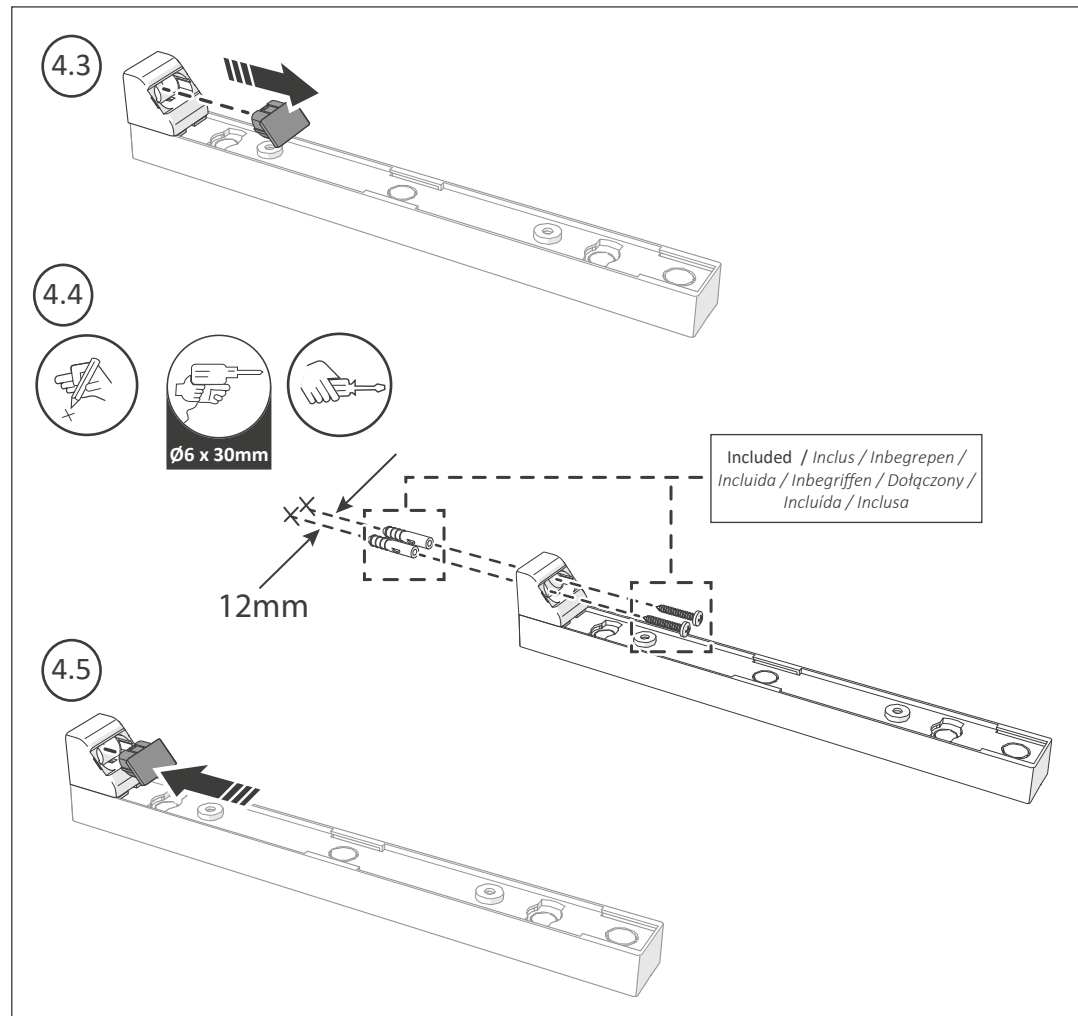
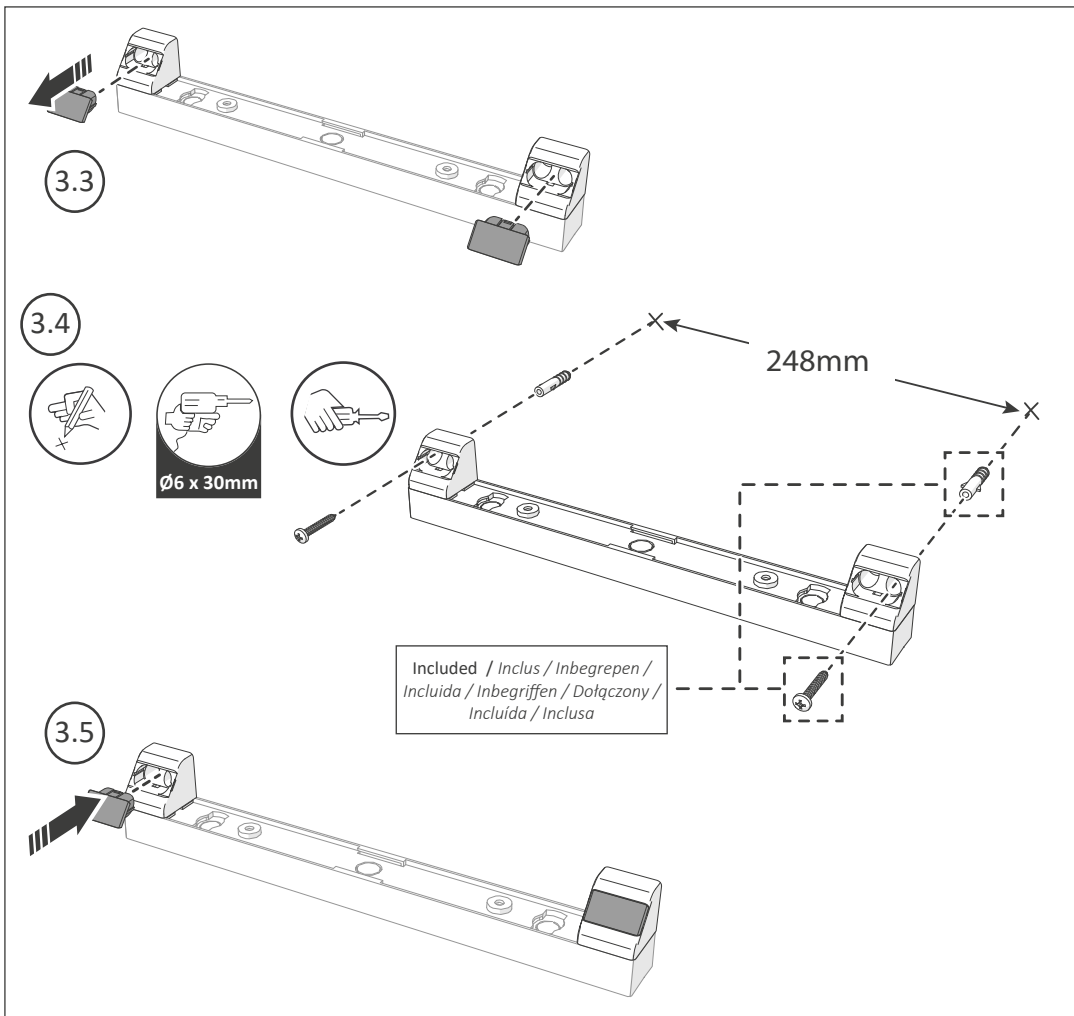


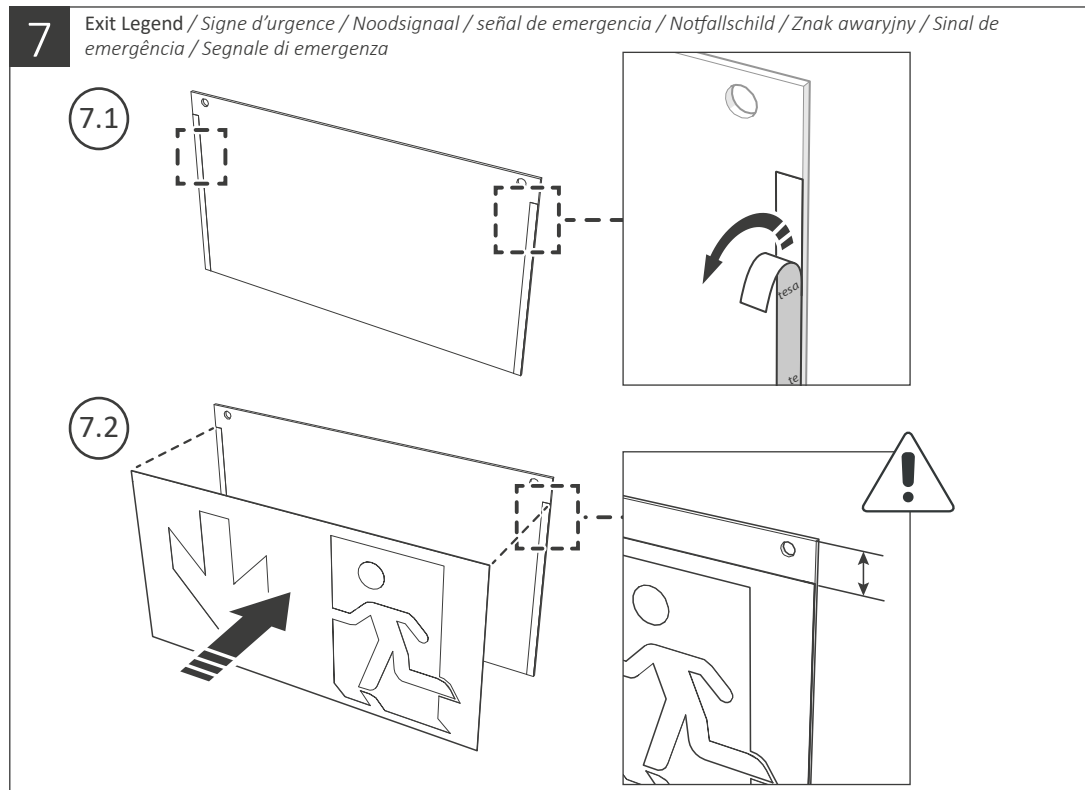
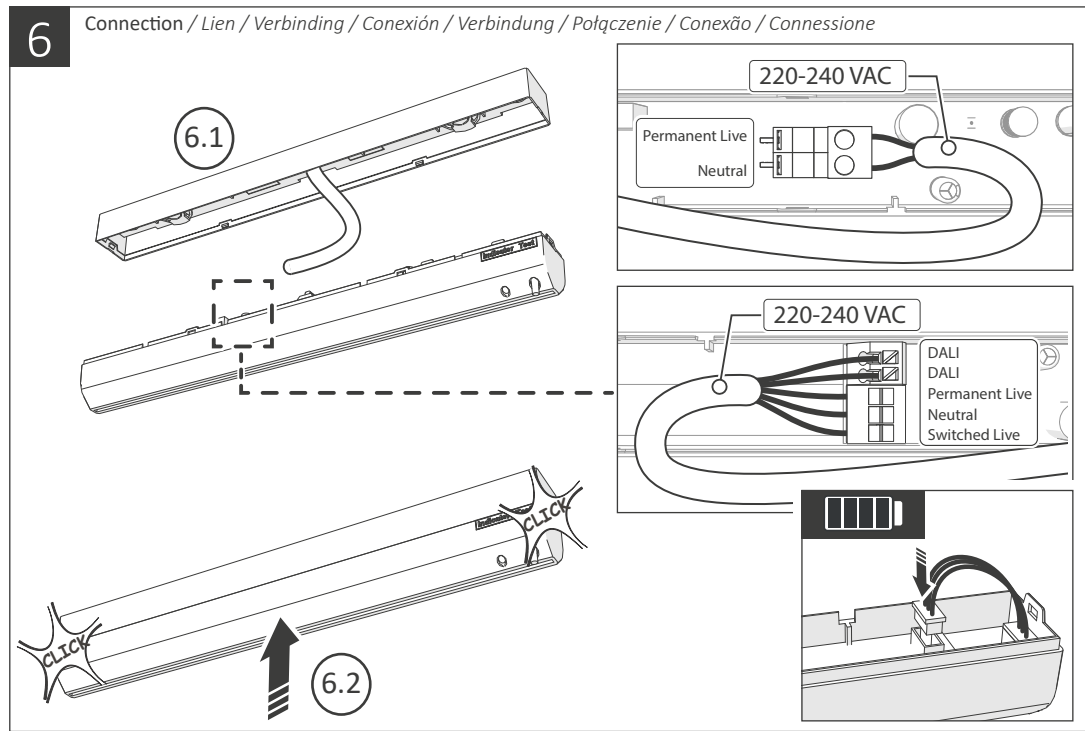
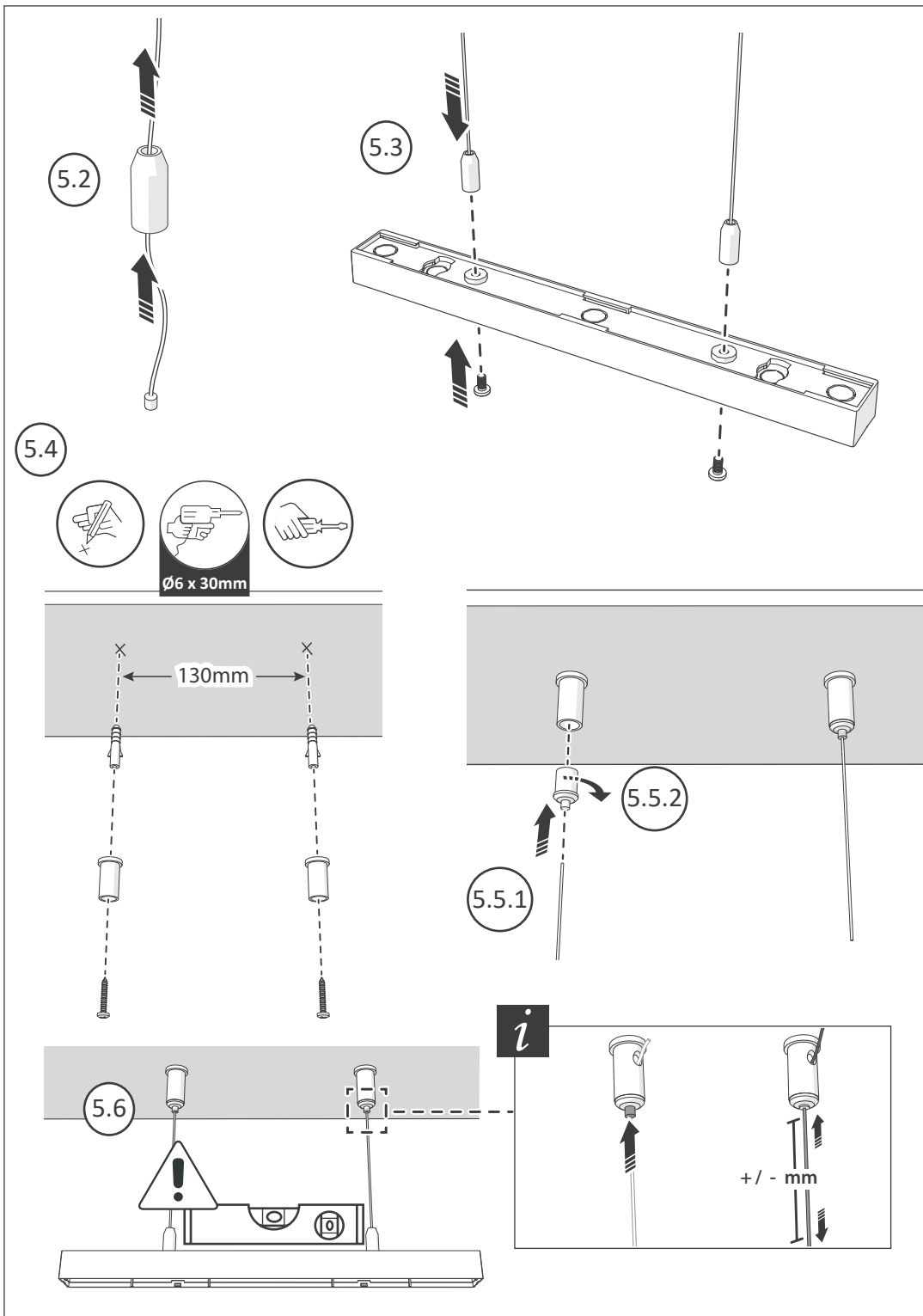
2 Surface Installation / Installation au plafond / Plafond installatie / Instalación de techo / Deckeninstallation / Instalacja sufitowa / Instalação de teto / Installazione a soffitto



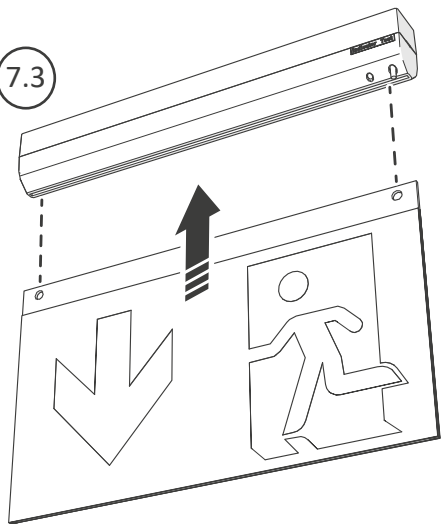
3 Wall Installation / Installation murale / Wandinstallatie / Instalación en pared / Wandinstallation / Instalacja naścienna / Instalação na parede / Installazione a parete



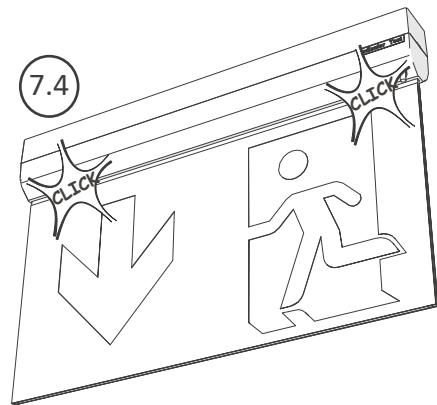




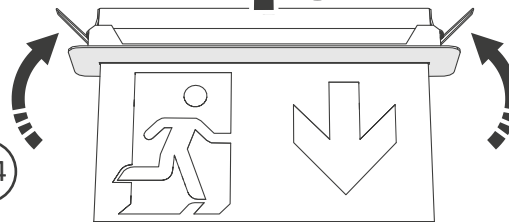
7.3



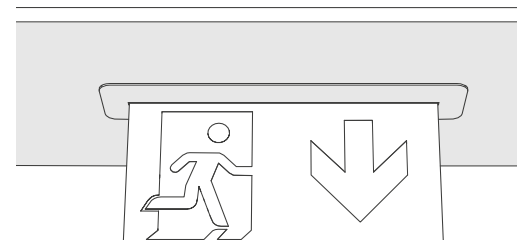
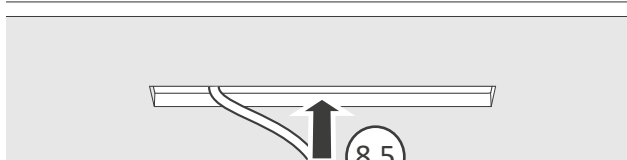
7.4



8.4



8.5



8

Recessed Installation / Installation encastrée / Inbouwinstallatie / Instalación empotrada / Einbauinstallation / Instalacja wpuszczana / Instalação embutida / Installazione ad incasso

8.1



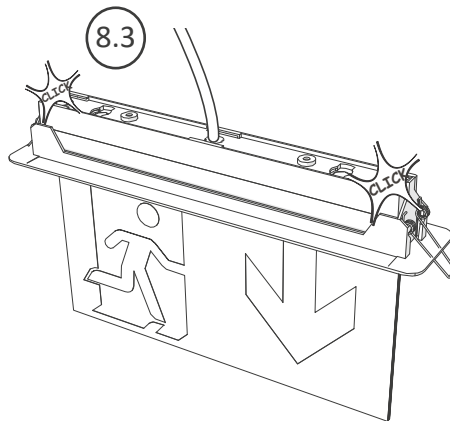
285 x 35mm



8.2

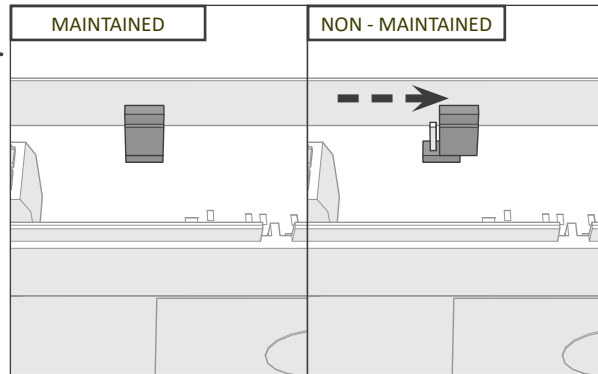


8.3



i

Additional Settings - NON DALI / Paramètres additionnels - NON DALI / Aanvullende instellingen NIET DALI / Ajustes adicionales NO DALI / Zusätzliche Einstellungen - NICHT DALI / Dodatkowe ustawienia - NIE DALI / Configurações adicionais - NÃO DALI / Altre impostazioni - NON DALI

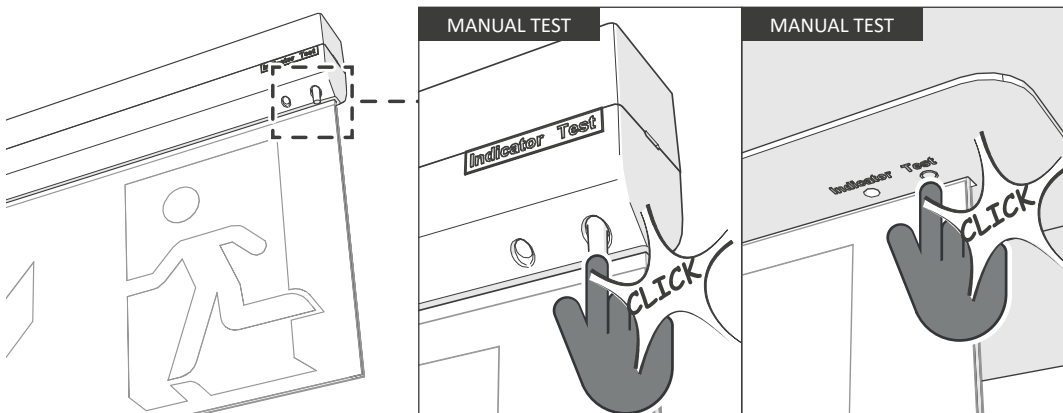


ILEMSK045

Order Separately / Commandez séparément / Apart bestellen / Ordene por separado / Separat bestellen / Zamów osobno / Encomendar Separadamente / Ordina separatamente



Additional Settings - NON DALI / Paramètres additionnels - NON DALI / Aanvullende instellingen NIET DALI / Ajustes adicionales NO DALI / Zusätzliche Einstellungen - NICHT DALI / Dodatkowe ustawienia - NIE DALI / Configurações adicionais - NÃO DALI / Altre impostazioni - NON DALI



A. 1-3 sec. = 5 sec. EM test

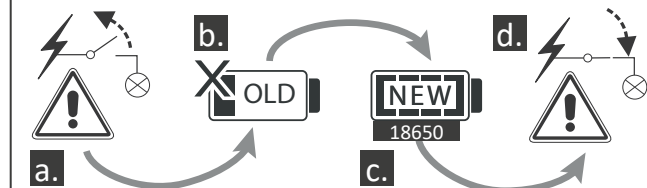
B. >10 sec. = RESET

5

Indicator LED / Indicateur LED / Indicator-LED / LED indicador / Anzeige-LED / Wskaźnik LED / LED indicador / Indicatore LED

LED	LED Colour	Status
	GREEN / Vert / Groente / Verde / Grün / Zielony	
	GREEN / Vert / Groente / Verde / Grün / Zielony	On / Off TEST
	GREEN / Vert / Groente / Verde / Grün / Zielony	TEST
	RED / Rouge / Rood / Rojo / Rot / Czerwony / Vermelho / Rosso	OR
	RED / Rouge / Rood / Rojo / Rot / Czerwony / Vermelho / Rosso	
	RED / Rouge / Rood / Rojo / Rot / Czerwony / Vermelho / Rosso	OR
	GREEN / Vert / Groente / Verde / Grün / Zielony + RED / Rouge / Rood / Rojo / Rot / Czerwony / Vermelho / Rosso	OR

Replace Battery / Remplacer la batterie / Vervang de batterij / Reemplazar la batería / Batterie austauschen / Wymień baterię / Substitua a bateria / Sostituire la batteria [3.2V LiFePO4 4W / 6000mA]



Test Schedule / Calendrier des tests / Test schema/ Calendario de pruebas/ Test Plan/ Harmonogram testów / Cronograma de teste / Programma di prova

Ref / Location	In case of difficulty, contact the Installation Engineers:					
Full Recharge Time 24 Hours				Duration 3 Hours		
TEST RECORD						
	Year 1		Year 2		Year 3	
Monthly Test	Signed	Date	Signed	Date	Signed	Date
Functional						
Functional						
Functional						
Functional						
Functional						
Functional						
Functional						
Functional						
Functional						
Functional						
Functional						
Functional						
Three Hour						

Warranty/ Technical & contact information are all available at www.integral-led.com

IS1049 A



Integral LED is a division of Integral Memory plc:
Unit 6, Iron Bridge Close, Iron Bridge Business Park,
London, NW10 0UF, UK
Integral Europe BV, 2801 DG, NL