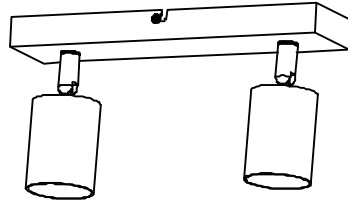




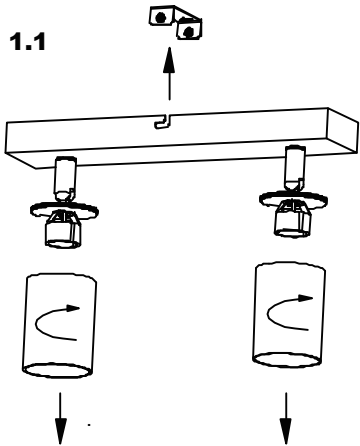
IS 1001



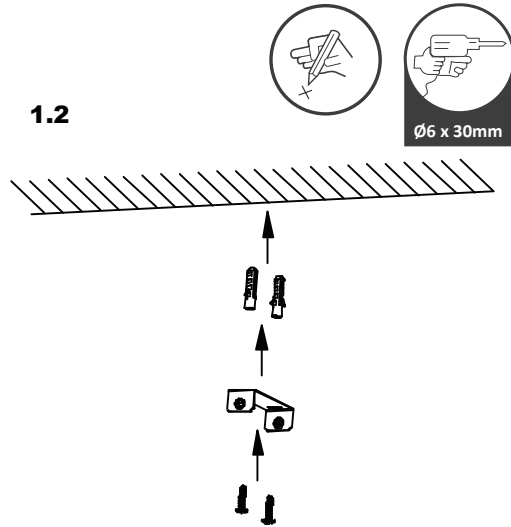
ILDIA015 / ILDIA021 / ILDIA026

1 Installation / Installation / Installatie / Instalación / Installation / Instalacja / Instalação

1.1



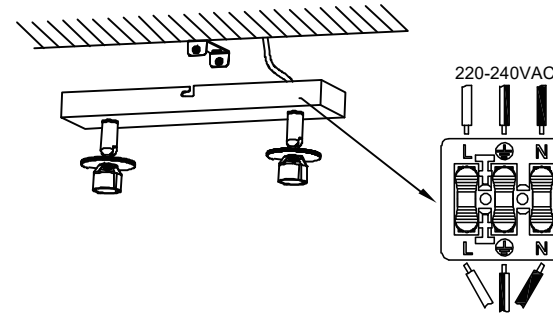
1.2



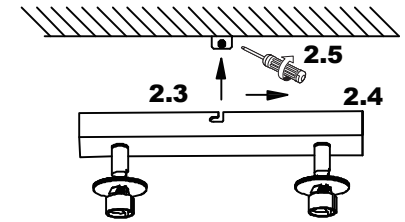
2

Installation / Installation / Installatie / Instalación / Installation / Instalacja / Instalação

2.1



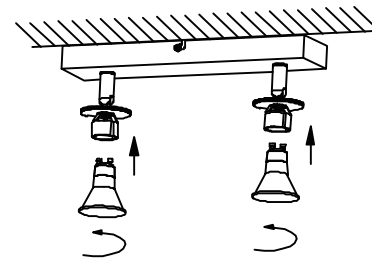
2.2



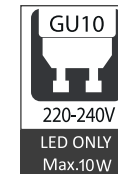
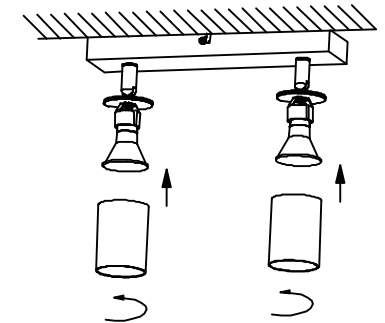
3

Installation / Installation / Installatie / Instalación / Installation / Instalacja / Instalação

3.1



3.2



Warranty/ Technical & contact information are all available at www.integral-led.com

ILDIA015_V1



Integral LED is a division of Integral Memory plc:
Unit 6, Iron Bridge Close, Iron Bridge Business Park,
London, NW10 0UF, UK
Integral Europe BV, 2801 DG, NL