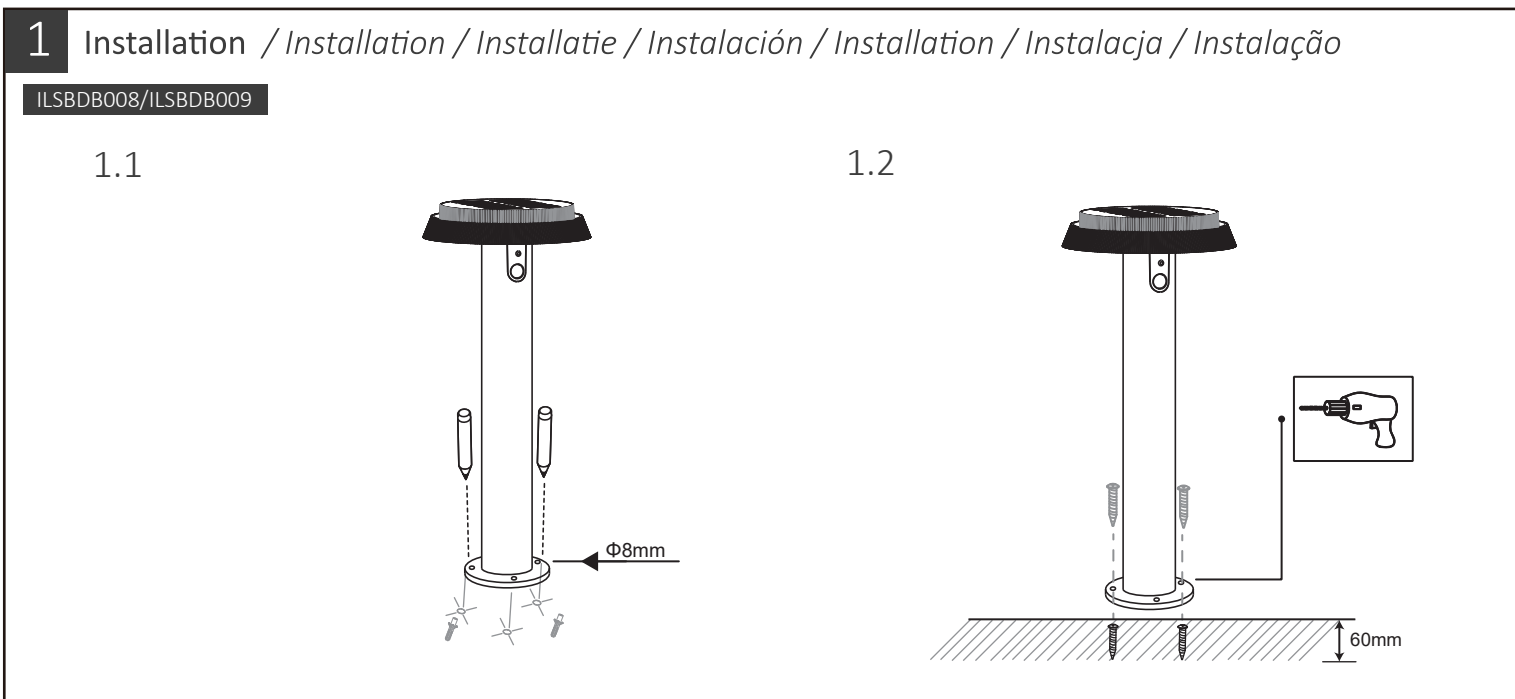


integral™ LED

INSTRUCTIONS D'INSTALLATION
 INSTALLATIE INSTRUCTIES
 INSTRUCCIONES DE INSTALACIÓN
 INSTALLATIONSANLEITUNG
 INSTRUKCJE INSTALACJ
 INSTRUÇÕES DE INSTALAÇÃO

True Solar - Solar LED Bollard light

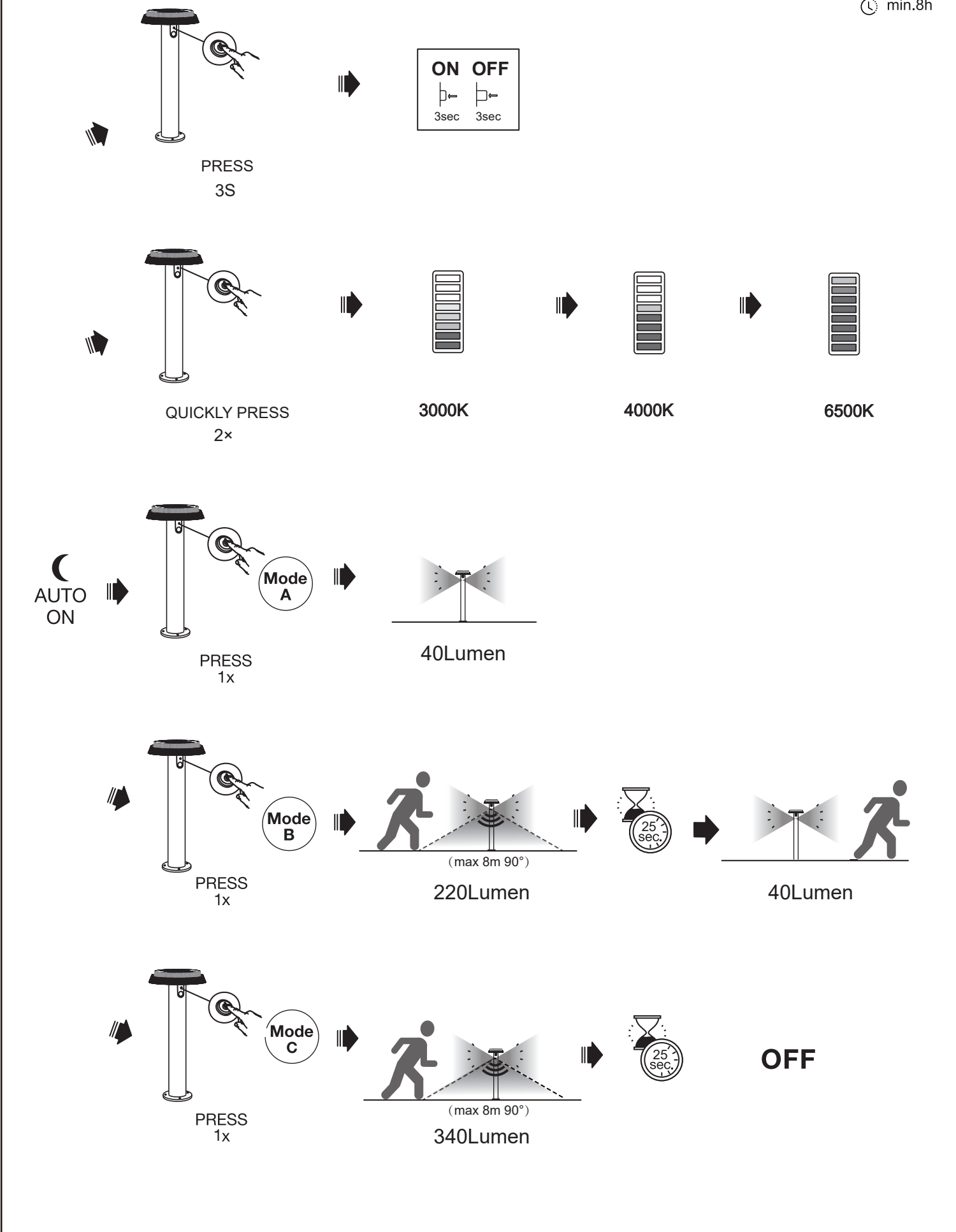
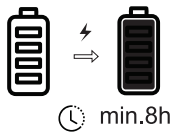


2 Function / *Fonction* / *Functie* / *Función* / *Funktion* / *Funkcji* / *Função*

ILSBDB008/ILSBDB009

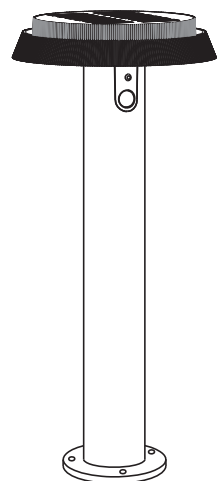


Before first use

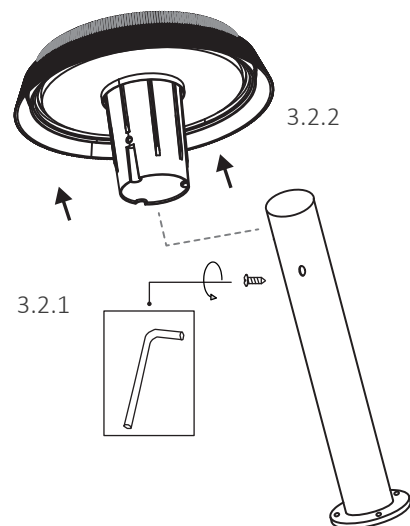


3 Replaceable battery / Batterie remplaçable / Vervangbare batterij / Bateria reemplazable / Austauschbarer Akku / Wymienna bateria / Bateria substituível

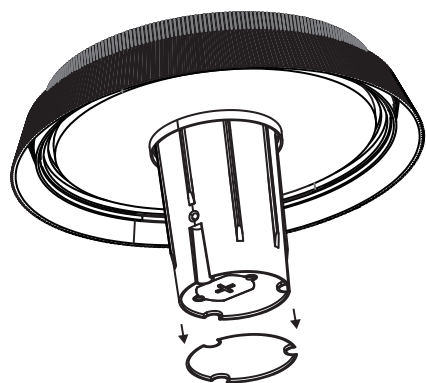
3.1



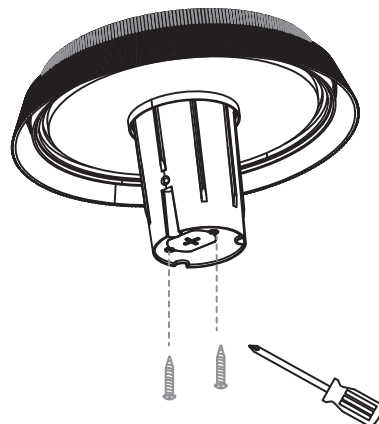
3.2



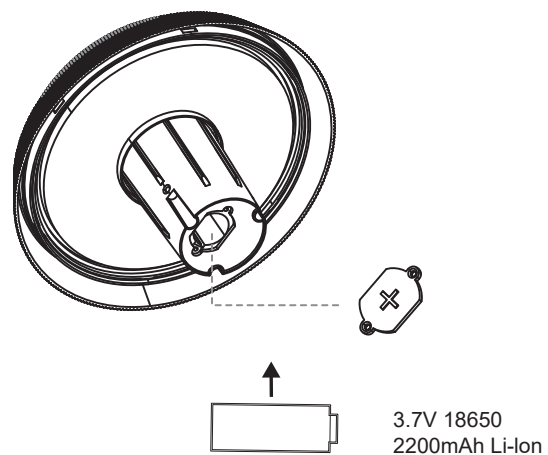
3.3



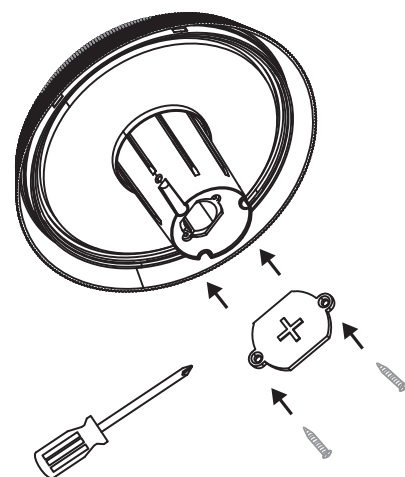
3.4



3.5



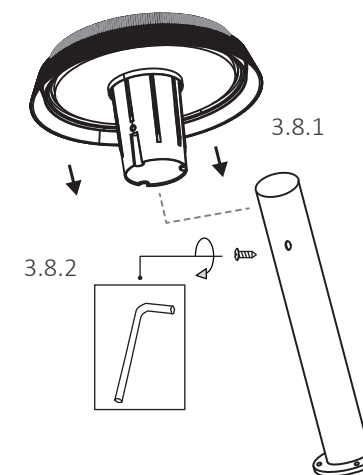
3.6



3.7



3.8



Warranty/ Technical
& contact information
are all available at
www.integral-led.com

ILSBDB008 ILSBDB009_V1



Integral LED is a division of Integral Memory plc:
Unit 6, Iron Bridge Close, Iron Bridge Business Park,
London, NW10 0UF, UK
Integral Europe BV, 2801 DG, NL