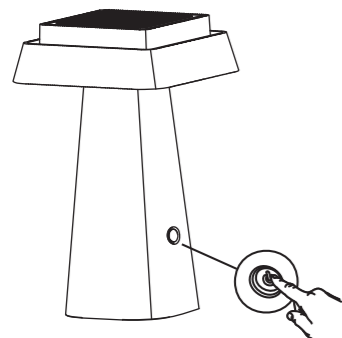
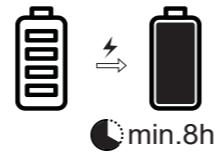


ILSTLB014

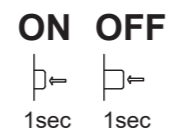
1 Function / Fonction / Functie / Función / Funktion / Funkciji / Função

ILSTLB014

Before first use



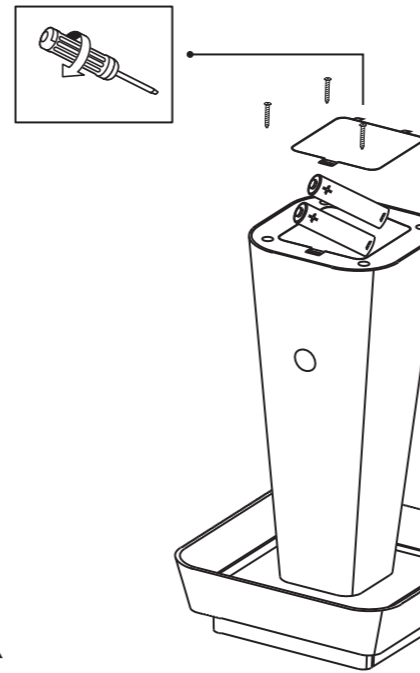
PRESS



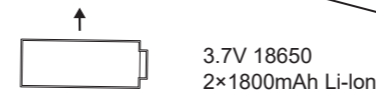
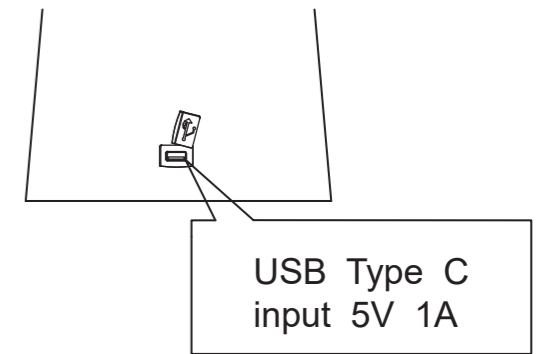
2 Replaceable battery / Batterie remplaçable / Vervangbare batterij / Bateria reemplazable / Austauschbarer Akku / Wymienna bateria / Bateria substituível

ILSTLB014

2.1



2.2



Warranty/ Technical & contact information are all available at www.integral-led.com

ILSTLB014_V1



Integral LED is a division of Integral Memory plc:
 Unit 6, Iron Bridge Close, Iron Bridge Business Park,
 London, NW10 0UF, UK
 Integral Europe BV, 2801 DG, NL

