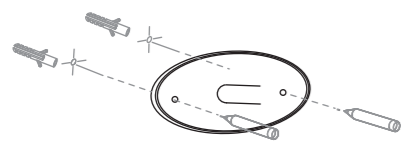


ILSWLB007

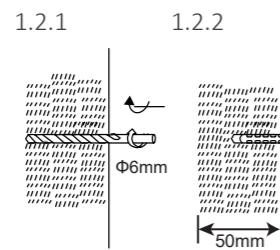
1 Installation / Installation / Installatie / Instalación / Installation / Instalacja / Instalação

ILSWLB007

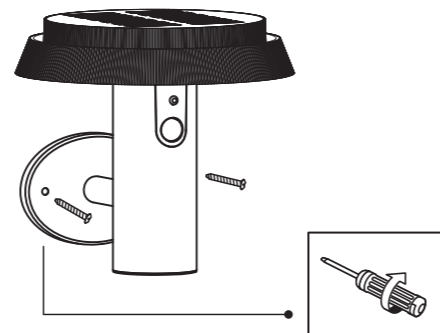
1.1



1.2



1.3

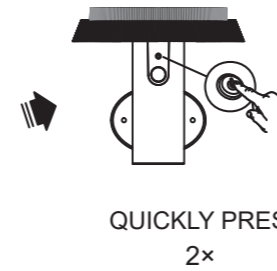
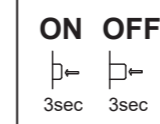
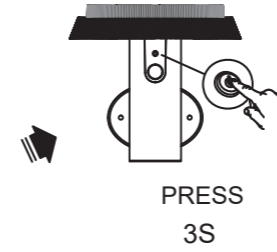
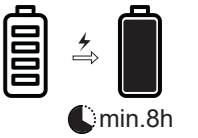


2 Function / Fonction / Functie / Función / Funktion / Funkcji / Função

ILSWLB007



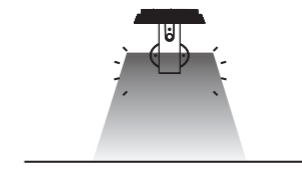
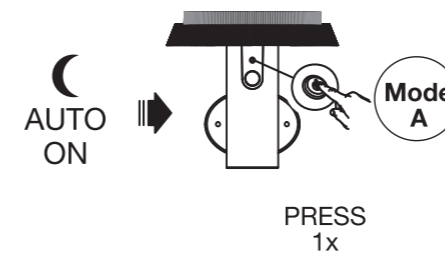
Before first use



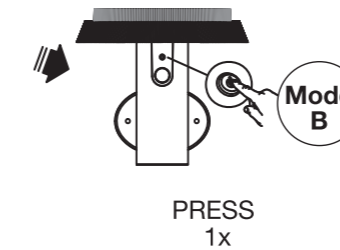
3000K

4000K

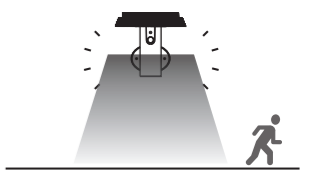
6500K



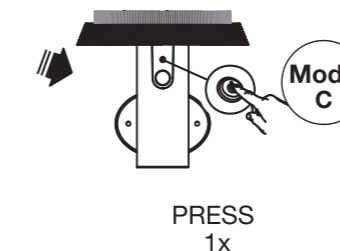
40Lumen



220Lumen



40Lumen

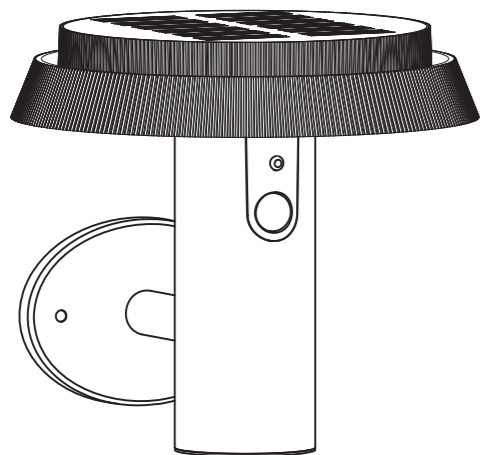


340Lumen

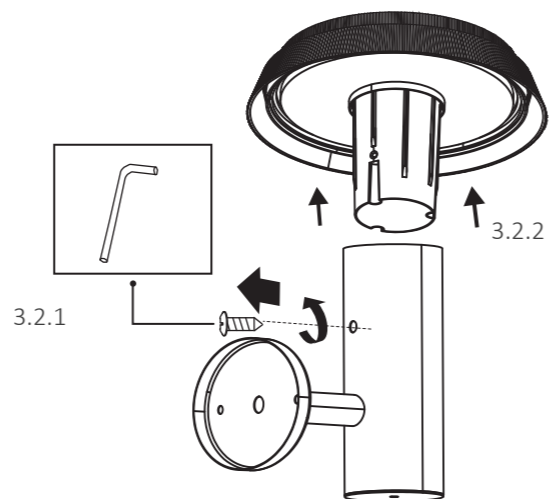


3 Replaceable battery / Batterie remplaçable / Vervangbare batterij / Bateria reemplazable / Austauschbarer Akku / Wymienna bateria / Bateria substituível

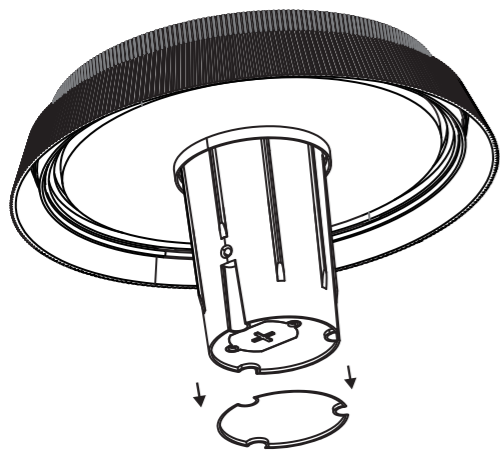
3.1



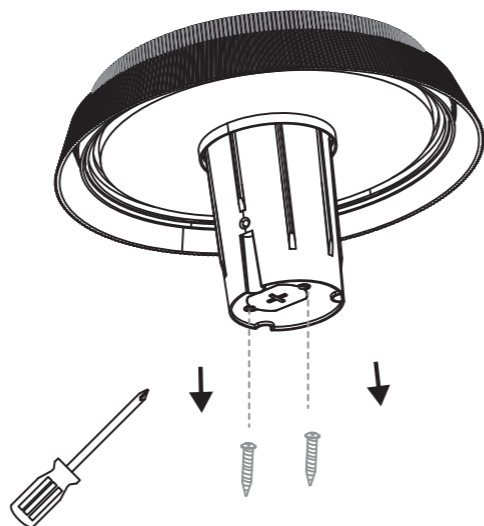
3.2



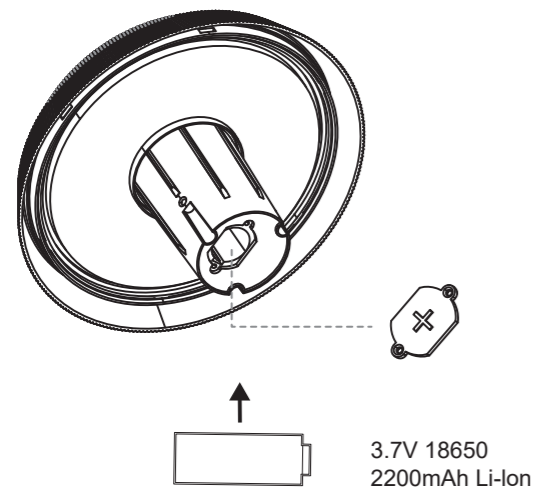
3.3



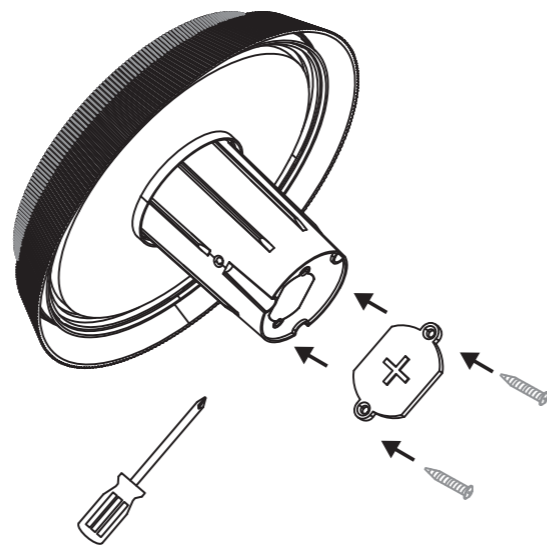
3.4



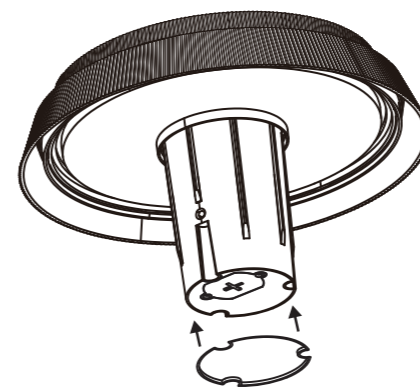
3.5



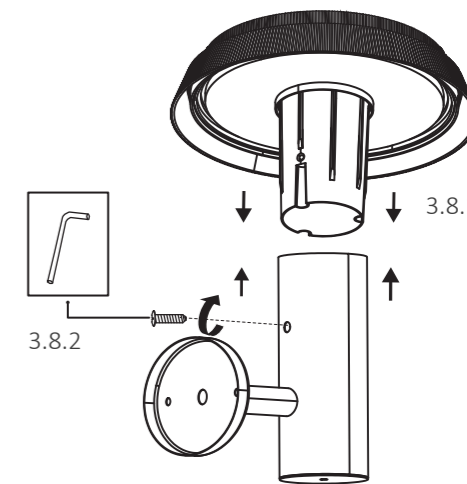
3.6



3.7



3.8



Warranty/ Technical & contact information are all available at www.integral-led.com

ILSWLB007_V1



Integral LED is a division of Integral Memory plc:
Unit 6, Iron Bridge Close, Iron Bridge Business Park,
London, NW10 0UF, UK
Integral Europe BV, 2801 DG, NL