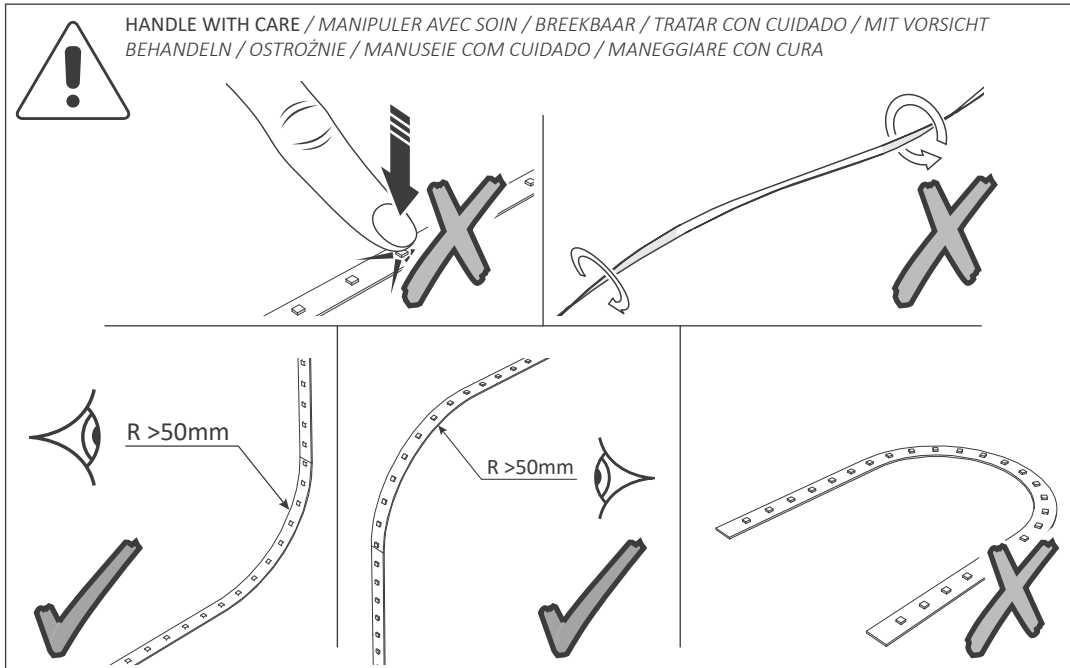
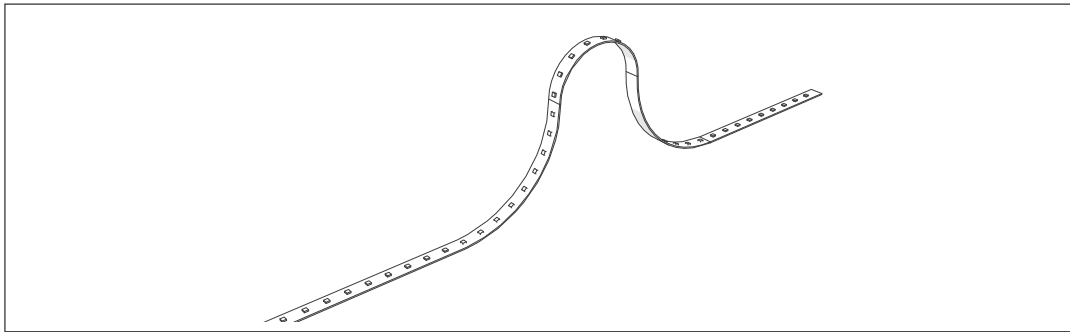


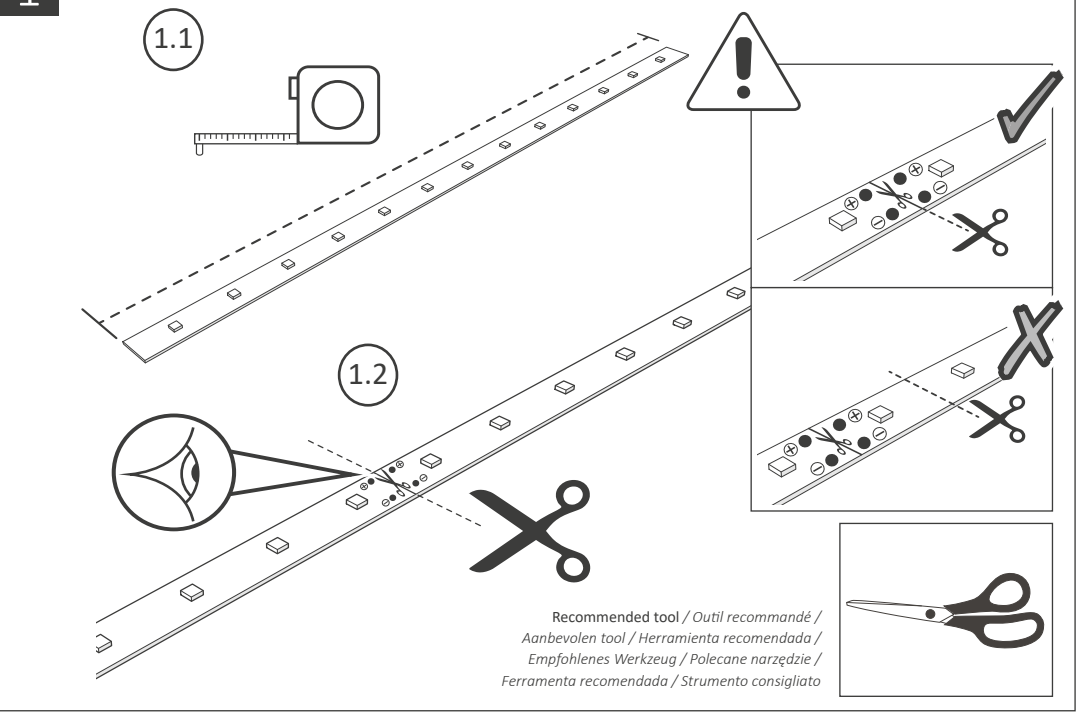
# integral™ LED

INSTALLATION INSTRUCTIONS  
INSTRUCTIONS D'INSTALLATION  
INSTALLATIE INSTRUCTIES  
INSTRUCCIONES DE INSTALACIÓN  
INSTALLATIONSANLEITUNG  
INSTRUKCJE INSTALACJI  
INSTRUÇÕES DE INSTALAÇÃO

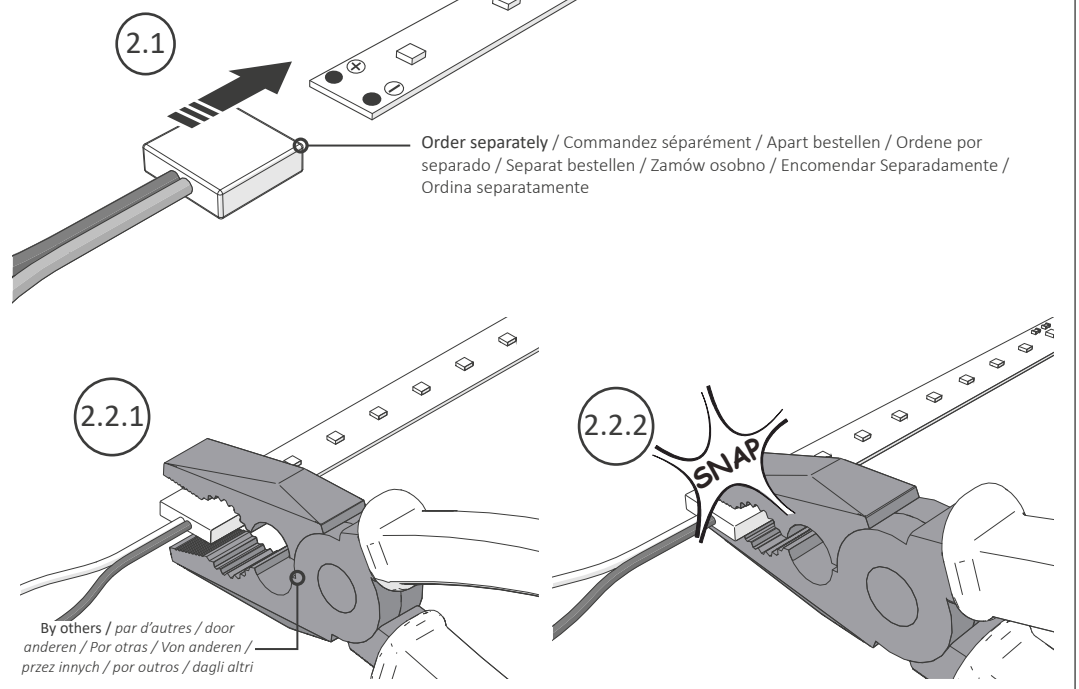
24V INTEGRAL CORE SMD LED STRIP - IP20



## 1 Installation / Installation / Installatie / Instalación / Installation / Instalação / Installazione

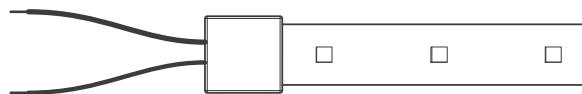


## 2 Connection / Lien / Verbinding / Conexión / Verbindung / Połączenie / Conexão / Connessione

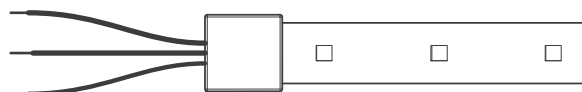


2.3

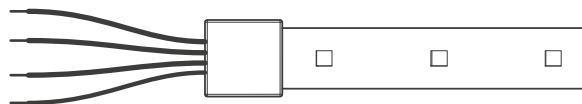
1 RED	+ 24V
2 BLACK	- 24V



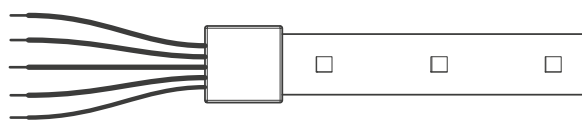
1 RED	+ 24V
2 WHITE	- COOL WHITE
3 YELLOW	- WARM WHITE



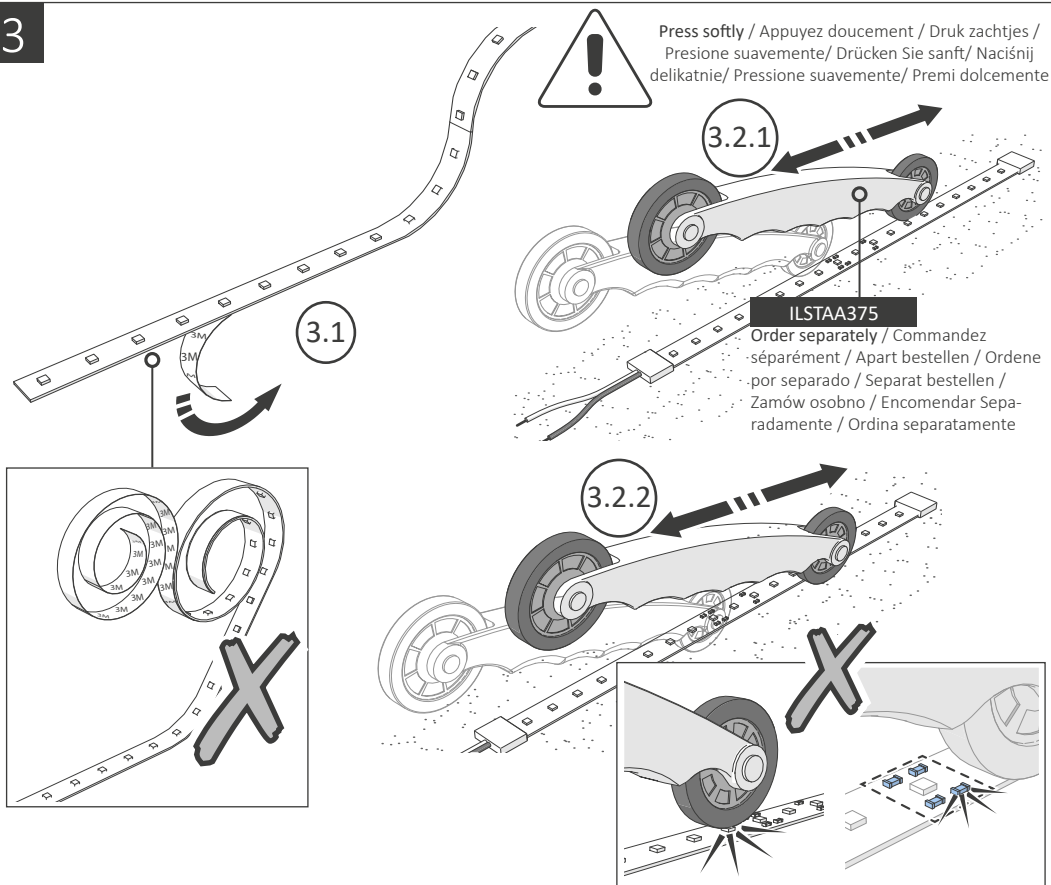
1 BLACK	+ 24V
2 GREEN	- GREEN CHANNEL
3 RED	- RED CHANNEL
4 BLUE	- BLUE CHANNEL



1 BLACK	+ 24V
2 GREEN	- GREEN CHANNEL
3 RED	- RED CHANNEL
4 BLUE	- BLUE CHANNEL
5 WHITE	- WHITE CHANNEL

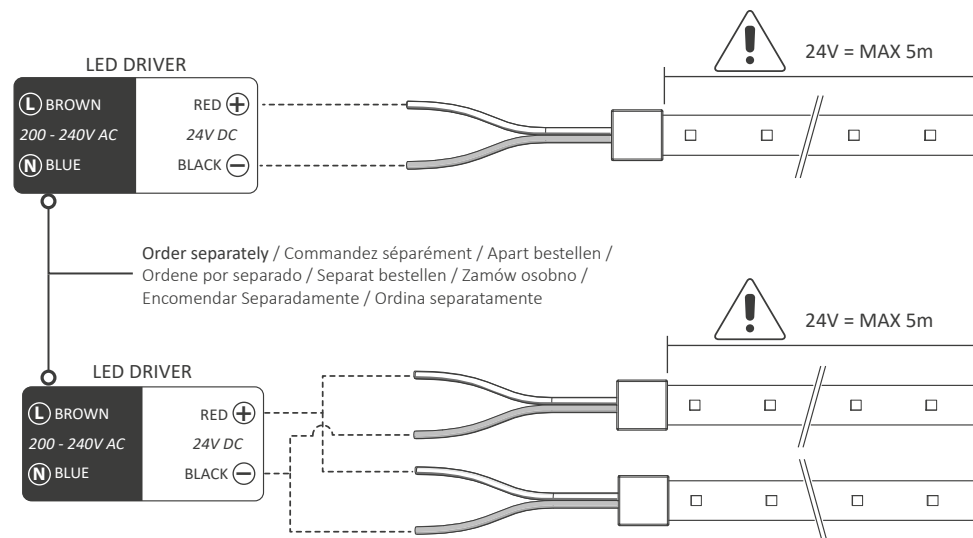


3



4

Connection to LED driver / Connexion au driver LED / Aansluiting op LED-driver / Aansluiting op LED-driver / Conexión al controlador LED / Anschluss an LED-Treiber / Połączenie ze sterownikiem LED / Conexão ao driver de LED / Collegamento al driver LED



Warranty/ Technical & contact information are all available at [www.integral-led.com](http://www.integral-led.com)

IS1063 A



All Trademarks Acknowledged

Integral LED is a division of Integral Memory plc:  
Unit 6, Iron Bridge Close, Iron Bridge Business Park,  
London, NW10 0UF, UK  
Integral Europe BV, 2801 DG, NL