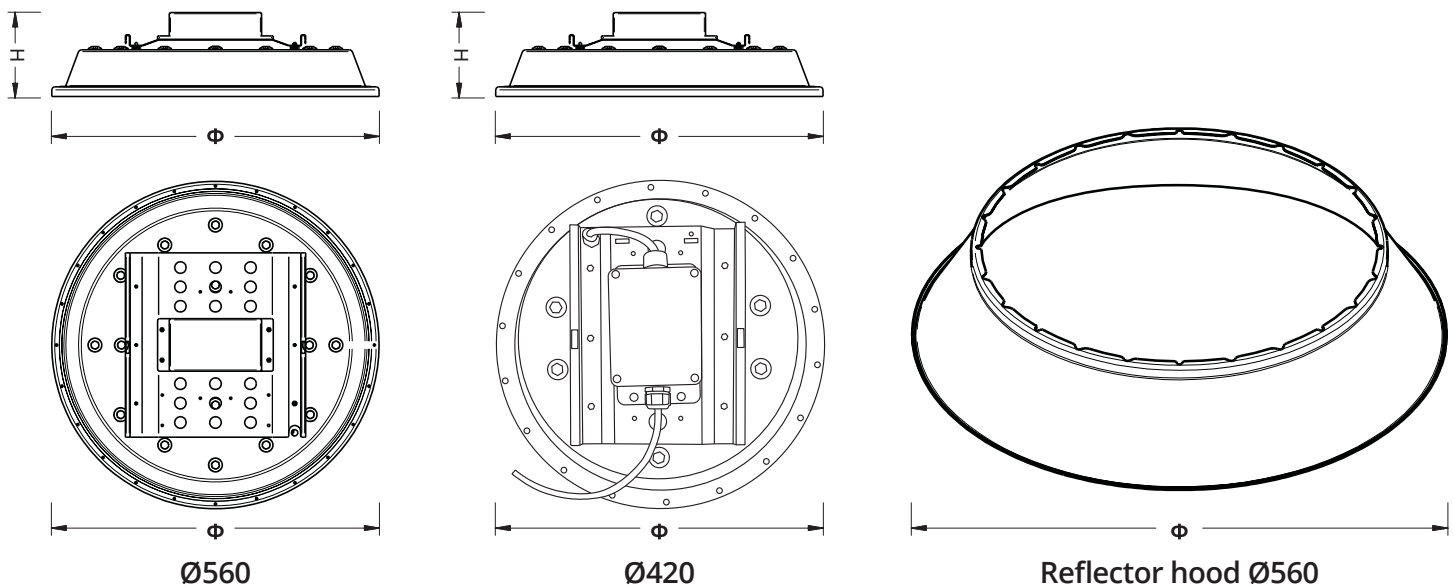


## INSTALLATION GUIDE FOR INTEGRAL LED "SPACELUX" HIGH BAYS - NON-DIMMABLE

Integral Product Code	Wattage	Lumens	Colour Temp.	Beam Angle	Lumens per Watt	Product Dimensions	Net Weight (KG)
ILHBG007	160W	20960	5000	110°	131	Ø 560 x H: 70 mm without bracket	3.85

Accessories for Ø 560 High Bays	
ILHBAR008	Silver Aluminium Reflector Hood for Ø560 Spacelux
ILHBAR013	White Aluminium Reflector Hood for Ø560 Spacelux

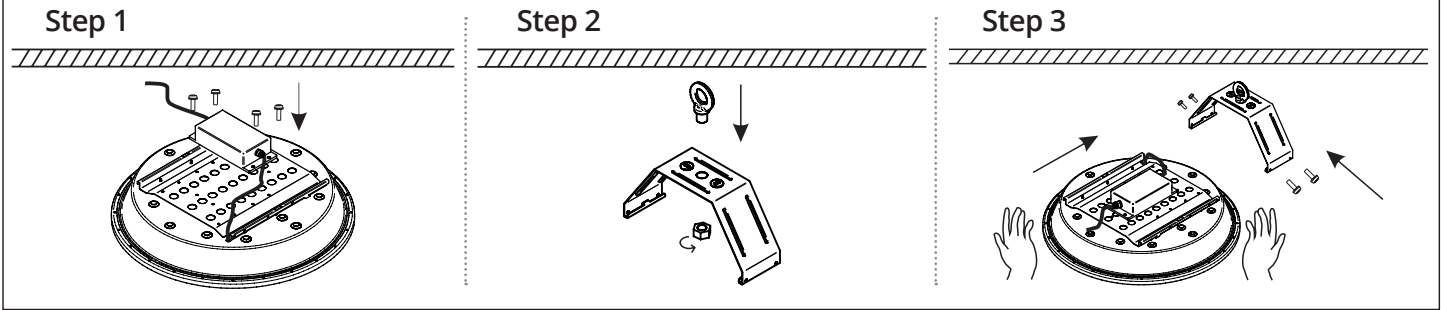


Thank you for purchasing an INTEGRAL LED product. When installed correctly this unit will provide years of service – with no lamp changes required. For support or warranty information please see [www.integral-led.com](http://www.integral-led.com).

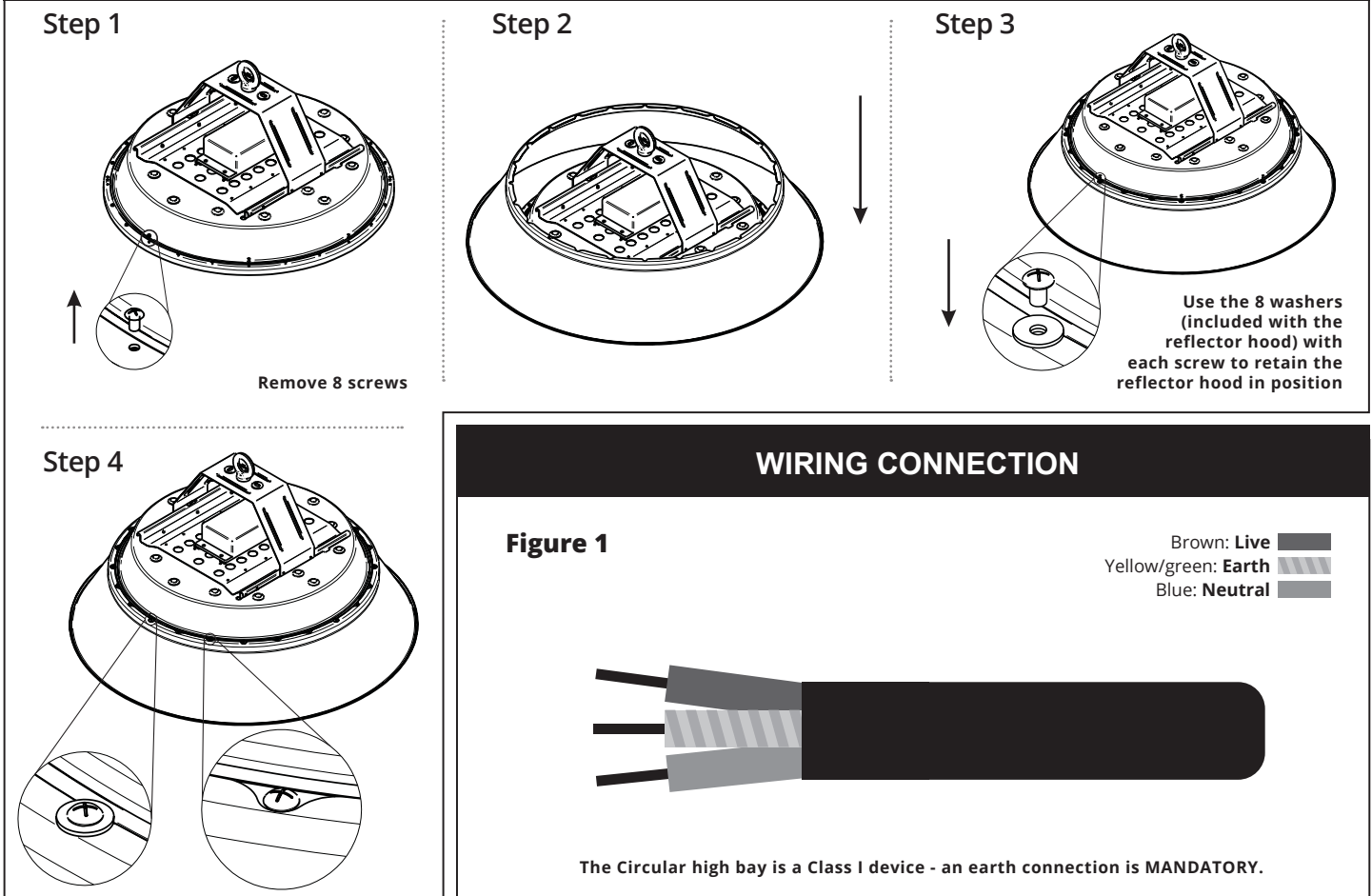
### **Important Details – Please read prior to installation**

1. This product must be installed by a qualified electrician in accordance with instructions provided and in compliance with recognised electrical and safety regulations relevant to the country it is being installed.
2. Please follow installation guide below
3. Please use appropriate fixings screws and chain (not provided) and ensure mounting eye is securely tightened to the suspension bracket through the nut.
4. Connect the cut+fit 2m power lead to a suitable junction box to maintain IP rating. Please pay attention to the polarity and earth as shown in "Wiring Connection" below.
5. Please ensure that 3-core H05RN-F minimum 3x1mm<sup>2</sup> cable is used.
6. If reflector hood is required please following installation guide below and used the 8 washer provided.
7. This product is not suitable for dimming.
8. No user serviceable parts.
9. **This product is a Class I device - an earth connection is MANDATORY.**

## SPACELUX INSTALLATION GUIDE



## REFLECTOR HOOD INSTALLATION GUIDE



## WIRING CONNECTION

Figure 1

Brown: Live  
Yellow/green: Earth  
Blue: Neutral



The Circular high bay is a Class I device - an earth connection is MANDATORY.

**Always turn off power before installation and maintenance.**

### ⚠ Notes:

- Operating and storage of luminaire must be within rated temperature and humidity guidelines. Operation must be within rated input voltage.
- Keep away from strong electromagnetic radiation sources and protect from lightning strike.
- Should the unit malfunction, return to distributor or reseller. No user serviceable parts inside. Risk of electric shock, do not disassemble or attempt to repair the luminaire.
- Do not install or use the luminaire if the casing is found to be broken.
- The luminaire must be installed by a qualified electrician.
- The luminaire should be positioned away from heat and vibration. Avoid contact with any corrosive chemicals.
- The luminaire should be mounted in free air it is recommended not to exceed 30°C ambient.
- Never cover the luminaire with heat insulation materials.
- The luminaire should be positioned at least 1 metre away from radios, failure to do so may affect radio reception
- Luminaires supplied cables should be protected from direct sunlight and installed in appropriate protective conduit for external applications.

CE RoHS  
IP65



WASTE ELECTRICAL PRODUCTS SHOULD NOT BE DISPOSED OF WITH HOUSEHOLD WASTE. PLEASE RECYCLE WHERE FACILITIES EXIST. CHECK WITH YOUR LOCAL AUTHORITY FOR RECYCLING ADVICE.

Integral LED is a division of Integral Memory plc:  
Unit 6, Iron Bridge Close,  
Iron Bridge Business Park,  
London, NW10 0UF, UK

Warranty/Technical and contact information are all available at [www.integral-led.com](http://www.integral-led.com)